

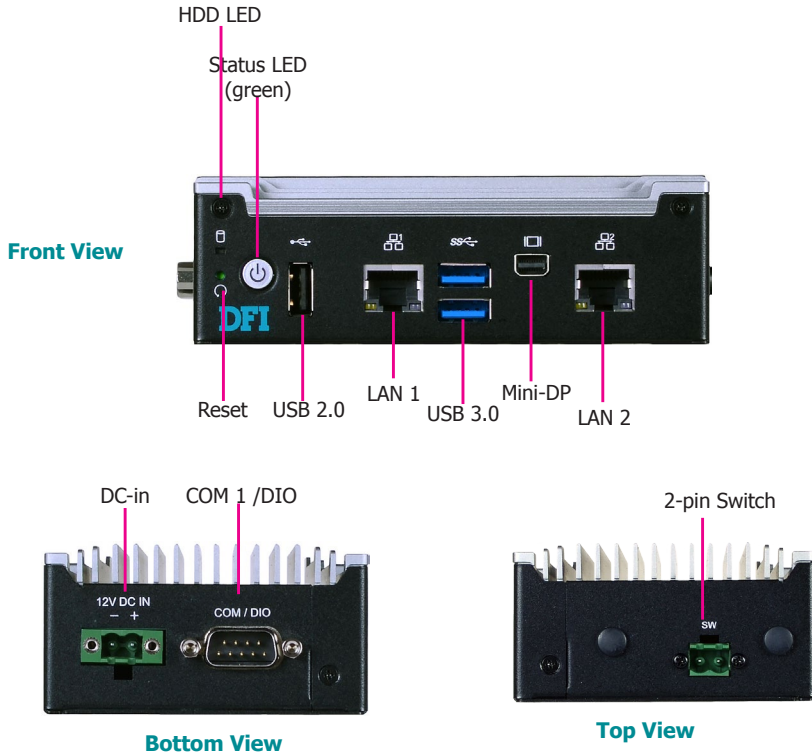
# DFI®

## EC90A-AL Installation Guide

### Package Contents

• One EC90A-AL system unit
• Mounting screws for SATA drive
• Mounting screws for Mini PCIe module
• 1 Quick Installation Guide
• 1 CD disk includes:
- Drivers / Manual

### Panel

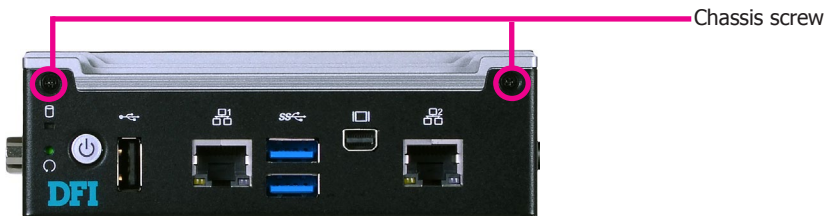
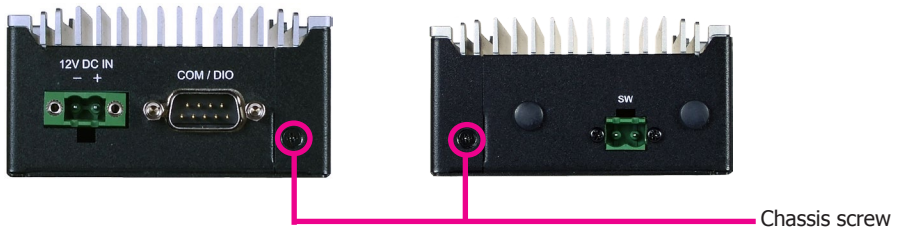
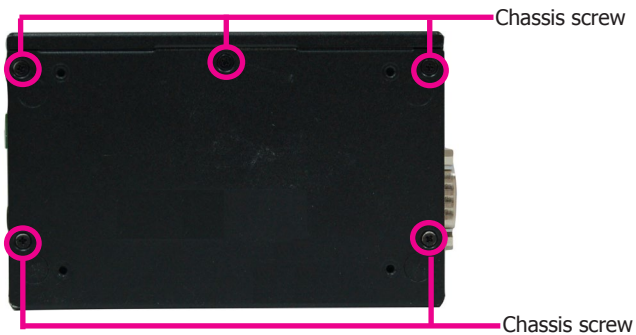


DFI reserves the right to change the specifications at any time prior to the product's release. For the latest revision and details of the installation process, please refer to the user's manual.

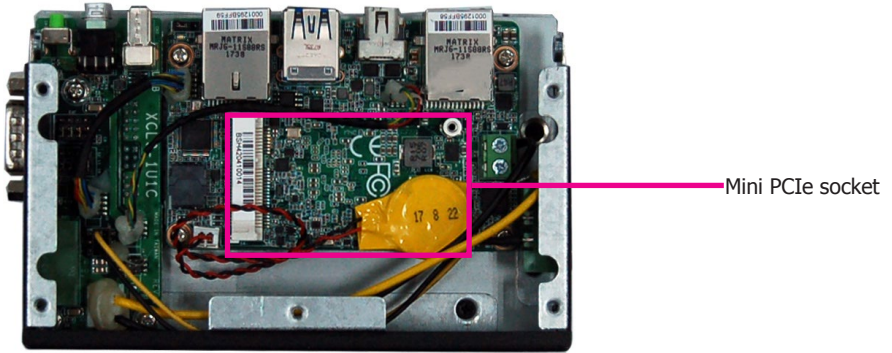
## Removing the Chassis Cover

Please observe the following guidelines and follow the procedure to open the system.

1. Make sure the system and all other peripheral devices connected to it have been powered off.
2. Disconnect all power cords and cables.
3. The 9 mounting screws on the front, both sides and bottom of the system are used to secure the cover to the chassis. Remove these screws and put them in a safe place for later use.



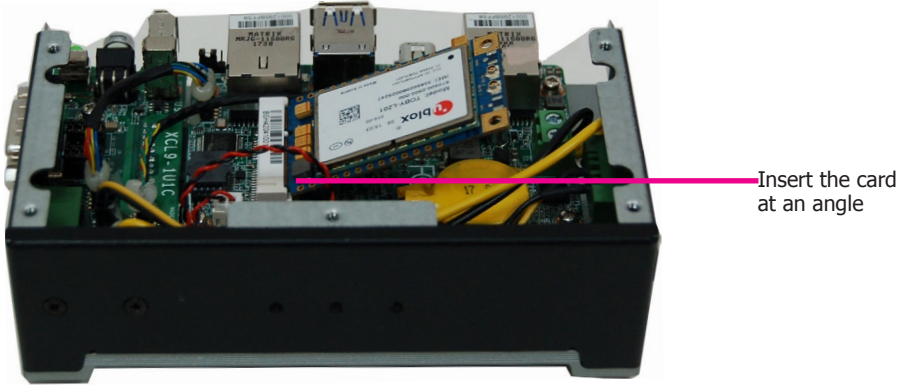
4. Lift the cover to open the system. The Mini PCIe socket is readily accessible after removing the chassis cover.



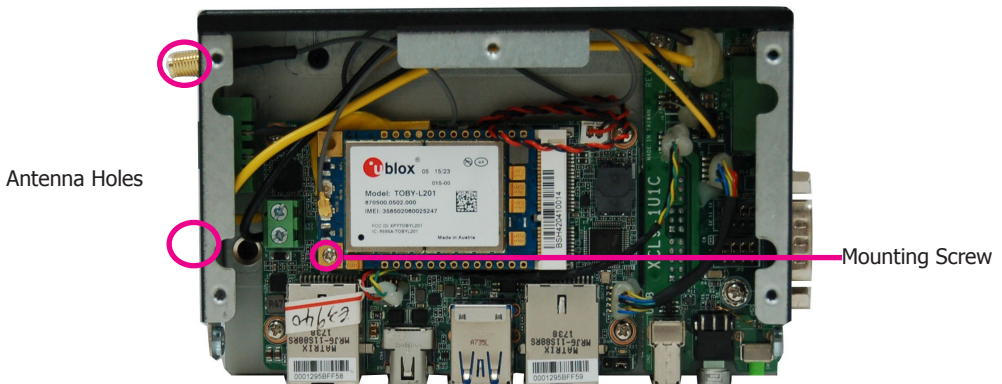
## Installing a Mini PCIe Card

The system board is equipped with 1 Mini PCIe slot that supports PCIe and USB signals.

1. Grasp the Mini PCIe card by its edges and align the notch in the connector of the PCIe card with the notch in the connector on the system board. Insert the bottom edge of the card into the socket.



2. Push the Mini PCIe card down and use the provided mounting screw to secure the card on the system board. Route the antenna(s) to the antenna holes on side of the chassis.



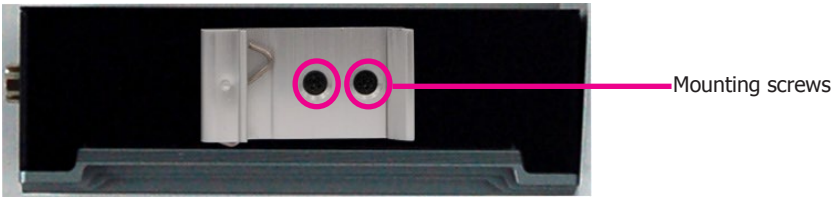
## DIN-Rail Mount

The system features DIN-rail mount chassis that facilitates fast installation of the EC90A-AL to a DIN rail.

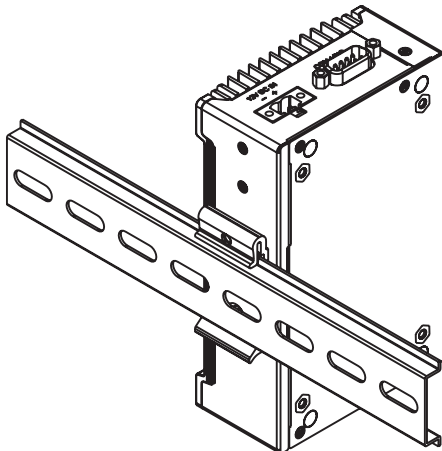
The din-rail mount kit includes the following:

- Din-rail mount bracket
- 2 screws

1. Use the provided mounting screws to attach the din-rail mount bracket to the rear side of the device.



2. Install the device onto the rail.

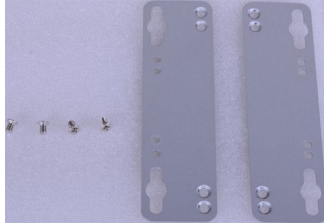




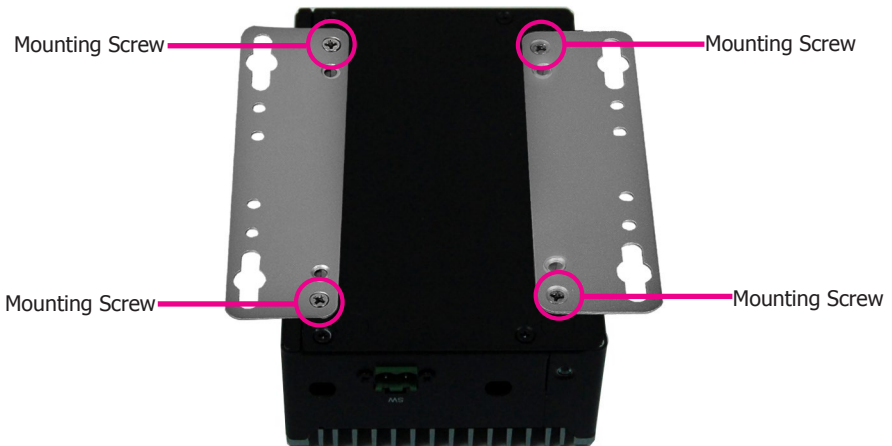
## Wall Mount

The wall mount kit includes the following:

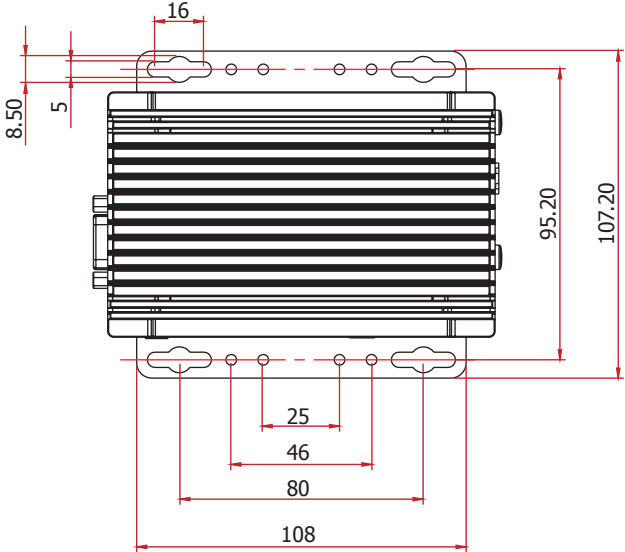
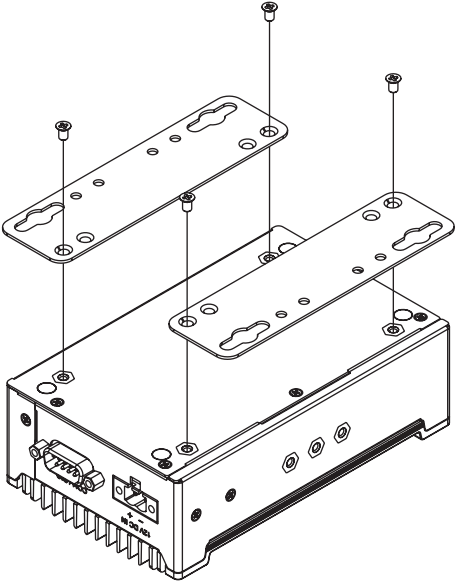
- Two wall mount brackets
- Bracket screws



1. Align the mounting holes of the wall mount bracket with the screw holes of the system and use the provided mounting screws to secure the wall mount brackets on both sides of the system.

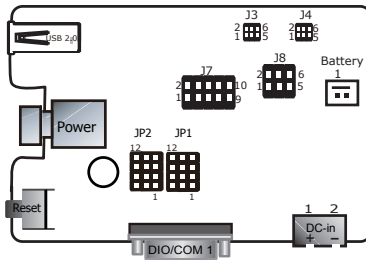
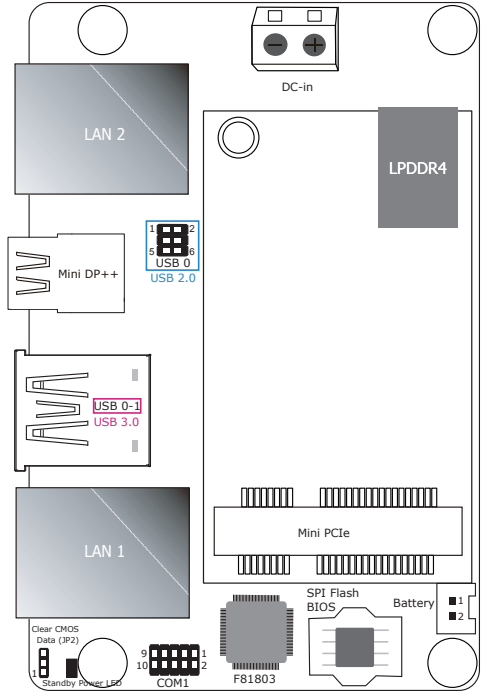
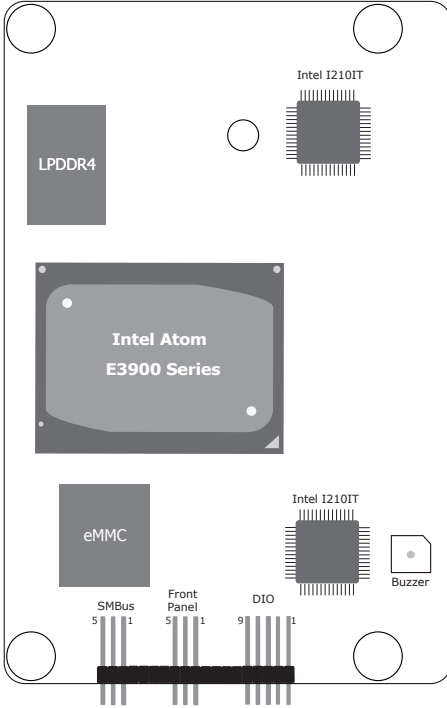


The following diagrams show the location and dimension of the wall mounting holes.





# Board Layout and Jumper Settings



External COM Port 1 / DIO Pin Select	JP1	JP2
COM (default)	1-2, 4-5, 7-8, 10-11 On	1-2, 4-5, 7-8, 10-11 On
DIO	2-3, 5-6, 8-9, 11-12 On	2-3, 5-6, 8-9, 11-12 On

### Note:

You cannot use the external COM Port 1 and DIO at the same time. Please set JP1 and JP2 together.