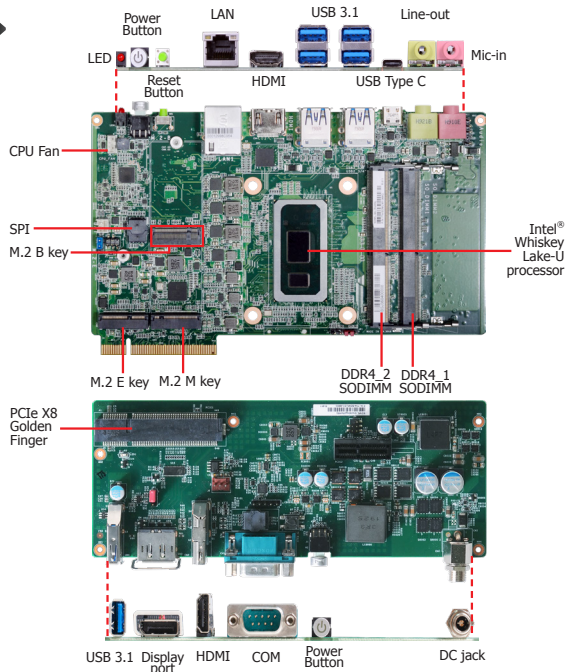


SDML-WL

ULT

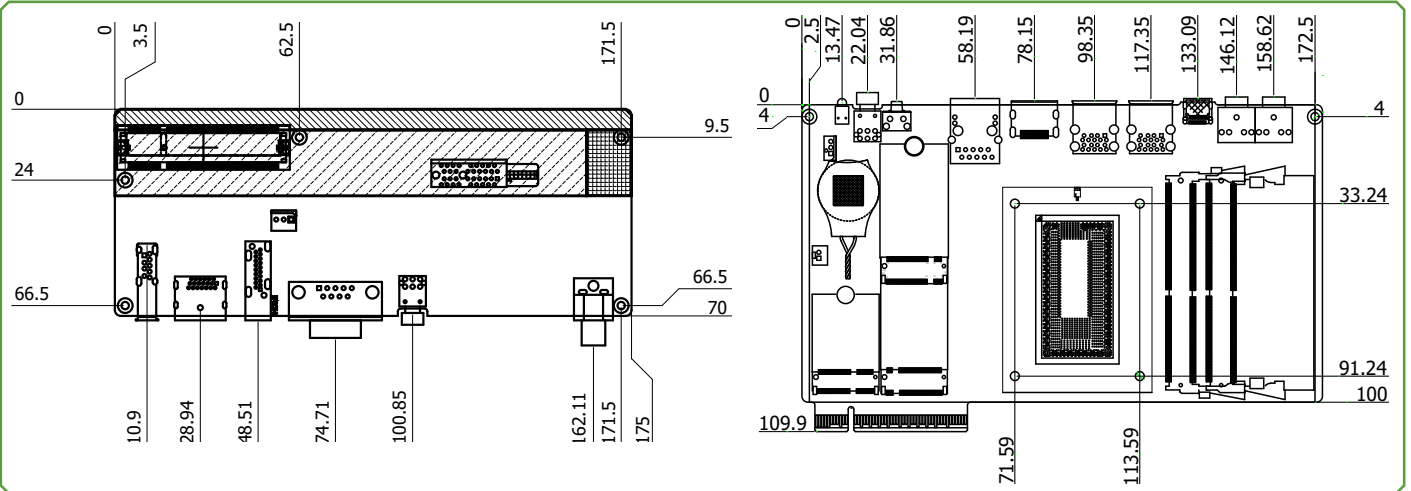


Features

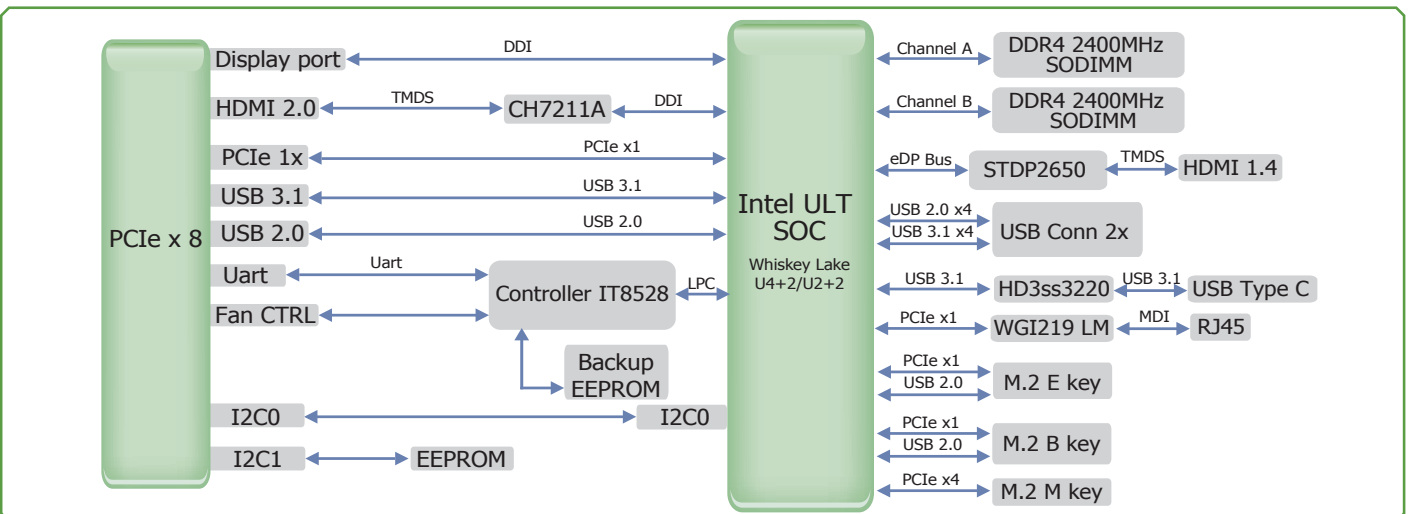
- 2 DDR4 2400MHz SODIMM up to 32G
- 1 HDMI resolution up to 4096 x 2160 @ 60Hz
Display port resolution up to 4096 x 2304 @ 60Hz
- Multiple expansion: 1 M.2 E Key, 1 M.2 M Key, 1 M.2 B Key
- Rich I/O: 1 Intel GbE, 4 USB3.1, 1 USB3.1 Type C



Mechanical Drawing



Block Diagram



Specifications

SYSTEM	Processor	8th Gen Intel® Core™ Processor, FCBGA1528 Intel® Core™ i7-8665UE Processor, Quad Core, 8M Cache, 1.7GHz (4.4GHz), 15W Intel® Core™ i5-8365UE Processor, Quad Core, 6M Cache, 1.6GHz (4.1GHz), 15W Intel® Core™ i3-8145UE Processor, Dual Core, 4M Cache, 2.2GHz (3.9GHz), 15W Intel® Celeron® Processor 4305UE, Dual Core, 2M Cache, 2.0GHz, 15W	
	Memory	2 SODIMM up to 32 GB	Dual Channel DDR4 2400MHz
	BIOS	AMI Winbond SPI 128Mbit	
GRAPHICS	Controller	Intel® UHD Graphics 620	
	Dual Displays	1 x Display port via PCIe x8 gold finger 1 x HDMI 2.0 to PCIe x8 gold finger 1 x HDMI 1.4 to rear I/O	Display port: resolution up to 4096x2304 @ 60Hz HDMI: resolution up to 4096x2160 @ 60Hz
EXPANSION	Interface	1 x 2230 E Key (PCIe x1 interface) 1 x 2242 B Key (PCIe x1 interface)	1 x 2280 M Key
AUDIO	Audio Codec	Realtek ALC262-VC2-GR	
ETHERNET	Controller	1 x Intel® I219LM(V) (10/100/1000Mbps) (Core™ i5 and i7 support vPro function)	
REAR I/O	Ethernet	1 x GbE (RJ-45)	
	USB	4 x USB 3.1	1 x USB 3.1 Type C
	Display	1 x HDMI 1.4	
	Audio	1 x Line-out	1 x Mic-in
SDM GOLDEN FINGER	Serial	1 x UART	
	USB	1 x USB 3.1	1 x USB 2.0
	Display	1 x Display port	1 x HDMI 2.0
	SMBus	2 x I2C	
WATCHDOG TIMER	Output & Interval	System Reset, Programmable via Software from 1 to 255 Seconds	
POWER	Type	Single 12V DC	
	Connector	DC Jack	
	RTC Battery	CR2032 Coin Cell with cable	
OS SUPPORT	Microsoft/Linux	Windows 10 IoT Enterprise 64-bit	Yocto kernel 4.19
ENVIRONMENT	Temperature	Operating: 0 to 60°C	Storage: -40 to 85°C
	Humidity	Operating: 5 to 90% RH	
	MTBF	TBD	
MECHANICAL	Dimensions	175mm (6.9") x 100mm (3.9")	
	Height	PCB: 1.6mm	Top Side: Max 20mm