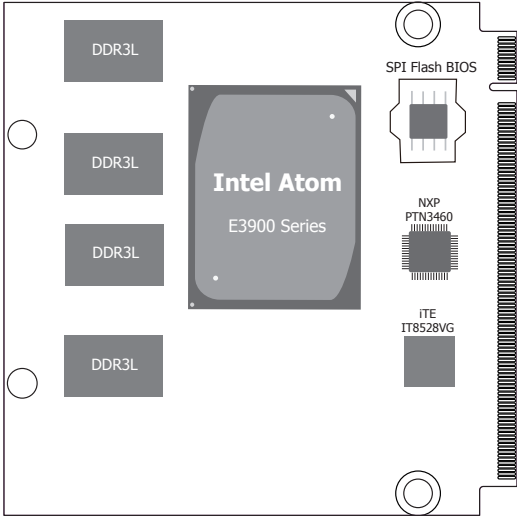
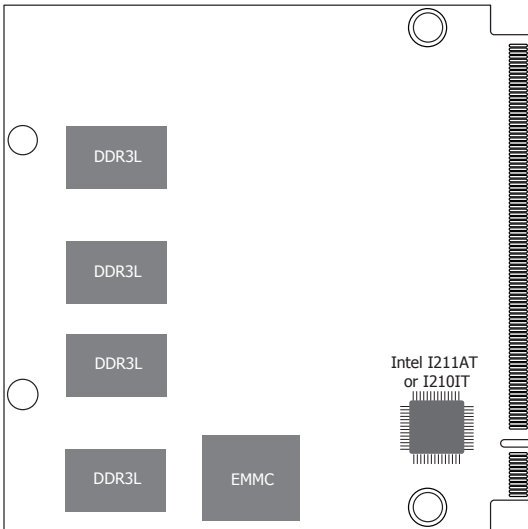


## Board Layout and MXM Pin Assignment



«« Top View

**Note:** The board is designed to be mounted on a carrier board via the MXM connector.



«« Bottom View

Pin	Q7 R2.1 Signal	AL700 Signal	Pin	Q7 R2.1 Signal	AL700 Signal
1	GND	GND	2	GND	GND
3	GBE_MDI3-	GBE_MDI3-	4	GBE_MDI2-	GBE_MDI2-
5	GBE_MDI3+	GBE_MDI3+	6	GBE_MDI2+	GBE_MDI2+
7	GBE_LINK100#	GBE_LED_100-	8	GBE_LED_1000-	GBE_LED_1000-
9	GBE_MDI1-	GBE_MDI1-	10	GBE_MDI0-	GBE_MDI0-
11	GBE_MDI1+	GBE_MDI1+	12	GBE_MDI0+	GBE_MDI0+
13	GBE_LINK#	GBE_LED_LINK-	14	GBE_ACT#	GBE_LED_ACT-
15	GBE_CTREF	NC	16	SUS_S5#	EC_PM_SLP_S4-
17	WAKE#	WAKE-	18	SUS_S3#	EC_PM_SLP_S3-
19	GPO0	GPI00_C	20	PWRBTN#	CB_PWRBTN-
21	SLP_BTN# / GPII1	SLP_BTN-	22	LID_BTN# / GPII0	LID_BTN-
23	GND	GND	24	GND	GND
	KEY	KEY		KEY	KEY
25	GND	GND	26	PWGIN	CB_PWROK_C
27	BATLOW# / GPII2	GPI02_C	28	RSTBTN#	SYS_RST-
29	SATA0_TX+	SATA_TX0P	30	SATA1_TX+	SATA_TX1P
31	SATA0_TX-	SATA_TX0N	32	SATA1_TX-	SATA_TX1N
33	SATA_ACT#	SATA_ACT-	34	GND	GND
35	SATA0_RX+	SATA_RX0P	36	SATA1_RX+	SATA_RX1P
37	SATA0_RX-	SATA_RX0N	38	SATA1_RX-	SATA_RX1N
39	GND	GND	40	GND	GND
41	BIOS_DISABLE# / BOOT_ALT#	BIOS_DIS0-	42	SDIO_CLK#	SDIO_CLK
43	SDIO_CD#	SDIO_CD-	44	RSVD	SDIO_LED
45	SDIO_CMD	SDIO_CMD	46	SDIO_WP	SDIO_WP
47	SDIO_PWR#	SDIO_PWR	48	SDIO_DAT1	SDIO_D1
49	SDIO_DAT0	SDIO_D0	50	SDIO_DAT3	SDIO_D3
51	SDIO_DAT2	SDIO_D2	52	RSVD	NC
53	RSVD	NC	54	RSVD	NC
55	RSVD	NC	56	USB_OTG_PEN	USB_OTG_PEN
57	GND	GND	58	GND	GND
59	HDA_SYNC / I2S_WS	HDA_SYNC_3V3	60	SMB_CLK / GP1_I2C_CLK	SMBCK_BT B
61	HDA_RST# / I2S_RST#	3V3_HDA_RST-	62	SMB_DAT / GP1_I2C_DAT	SMBDAT_BT B
63	HDA_BITCLK / I2S_CLK	HDA_BITCLK_3V3	64	SMB_ALERT#	SMB_ALERT_EC_BT B
65	HDA_SDI / I2S_SDI	HDA_SDI0_3V3	66	GP0_I2C_CLK	I2C_SCL1
67	HDA_SDO / I2S_SDO	HDA_SDO_3V3	68	GP0_I2C_DAT	I2C_SDA1
69	THRM#	THRM-	70	WDTRIG#	WDTRIG#_C
71	THRMTRIP#	THERMTRIP-	72	WDOUT	WDOUT_C
73	GND	GND	74	GND	GND
75	USB_P7- / USB_SSTX0-	USB3_TXP0N (option USB_P7-)	76	USB_P6- / USB_SSRX0-	USB3_RXP0N (option USB_P6-)
77	USB_P7+ / USB_SSTX0+	USB3_TXP0P (option USB_P7+)	78	USB_P6+ / USB_SSRX0+	USB3_RXP0P (option USB_P6+)
79	USB_6_7_OC#	USB67_OC-	80	USB_4_5_OC#	USB45_OC-
81	USB_P5- / USB_SSTX2-	USB3_TXP2N (option USB_P5-)	82	USB_P4- / USB_SSRX2-	USB3_RXP2N (option USB_P4-)

Pin	Q7 R2.1 Signal	AL700 Signal	Pin	Q7 R2.1 Signal	AL700 Signal
83	USB_P5+ / USB_SSTX2+	USB3_TXP2P (option USB_P5+)	84	USB_P4+ / USB_SSRX2+	USB3_RXP2P (option USB_P4+)
85	USB_2_3_OC#	USB23_OC-	86	USB_0_1_OC#	USB01_OC-
87	USB_P3-	USB2_DN3	88	USB_P2-	USB2_DN2
89	USB_P3+	USB2_DP3	90	USB_P2+	USB2_DP2
91	USB_VBUS	USB_VBUS_SUS_C	92	USB_ID	USB_OTG_ID_3V3
93	USB_P1-	USB2_DN0	94	USB_P0-	USB2_DN1
95	USB_P1+	USB2_DP0	96	USB_P0+	USB2_DP1
97	GND	GND	98	GND	GND
99	eDP0_TX0+ / LVDS_A0+	LVDSA_0+_R (option eDP0_TX0+)	100	eDP1_TX0+ / LVDS_B0+	LVDS_B0+_R (option eDP1_TX0+)
101	eDP0_TX0- / LVDS_A0-	LVDSA_0-_R (option eDP0_TX0-)	102	eDP1_TX0- / LVDS_B0-	LVDS_B0-_R (option eDP1_TX0-)
103	eDP0_TX1+ / LVDS_A1+	LVDSA_1+_R (option eDP0_TX1+)	104	eDP1_TX1+ / LVDS_B1+	LVDS_B1+_R (option eDP1_TX1+)
105	eDP0_TX1- / LVDS_A1-	LVDSA_1-_R (option eDP0_TX1-)	106	eDP1_TX1- / LVDS_B1-	LVDS_B1-_R (option eDP1_TX1-)
107	eDP0_TX2+ / LVDS_A2+	LVDSA_2+_R (option eDP0_TX2+)	108	eDP1_TX2+ / LVDS_B2+	LVDS_B2+_R (option eDP1_TX2+)
109	eDP0_TX2- / LVDS_A2-	LVDSA_2-_R (option eDP0_TX2-)	110	eDP1_TX2- / LVDS_B2-	LVDS_B2-_R (option eDP1_TX2-)
111	LVDS_PPEN	LVDS_VDD_EN_R	112	LVDS_BLEN	LVDS_BKLT_EN_R
113	eDP0_TX3+ / LVDS_A3+	LVDSA_3+_R (option eDP0_TX3+)	114	eDP1_TX3+ / LVDS_B3+	LVDS_B3+_R (option eDP1_TX3+)
115	eDP0_TX3- / LVDS_A3-	LVDSA_3-_R (option eDP0_TX3-)	116	eDP1_TX3- / LVDS_B3-	LVDS_B3-_R (option eDP1_TX3-)
117	GND	GND	118	GND	GND
119	eDP0_AUX+ / LVDS_A_CLK+	LVDS_A_CK+ (option eDP0_AUX+)	120	eDP1_AUX+ / LVDS_B_CLK+	LVDS_B_CLK+_R (option eDP1_AUX+)
121	eDP0_AUX- / LVDS_A_CLK-	LVDS_A_CK- (option eDP0_AUX-)	122	eDP1_AUX- / LVDS_B_CLK-	LVDS_B_CLK-_R (option eDP1_AUX-)
123	LVDS_BLT_CTRL / GP_PWM_OUT0	LVDS_BKLT_CTRL_R	124	GP_1-Wire_Bus / HDMI_CEC	GP_1-Wire_Bus
125	GP2_I2C_DAT / LVDS_DID_DAT	LVDS_DDC_DATA_R (option eDP1_DDC_DAT)	126	eDP0_HPD# / LVDS_BLC_DAT	eDP_HPD#_C
127	GP2_I2C_CLK / LVDS_DID_CLK	LVDS_DDC_CLK_R (option eDP1_DDC_CLK)	128	eDP1_HPD# / LVDS_BLC_CLK	DDI1_HPD#_C
129	CAN0_TX	NC	130	CAN0_RX	NC
131	DP_LANE3+ / TMDS_CLK+	DDIO_3P	132	USB_SSTX1-	USB3_P1_TXN_C
133	DP_LANE3- / TMDS_CLK-	DDIO_3N	134	USB_SSTX1+	USB3_P1_TXP_C
135	GND	GND	136	GND	GND
137	DP_LANE1+ / TMDS_LANE1+	DDIO_1P	138	DP_AUX+	DPIO_AUX_C_P
139	DP_LANE1- / TMDS_LANE1-	DDIO_1N	140	DP_AUX-	DPIO_AUX_C_N
141	GND	GND	142	GND	GND
143	DP_LANE2+ / TMDS_LANE0+	DDIO_2P	144	USB_SSRX1-	USB3_P1_RXN
145	DP_LANE2- / TMDS_LANE0-	DDIO_2N	146	USB_SSRX1+	USB3_P1_RXP
147	GND	GND	148	GND	GND

Pin	Q7 R2.1 Signal	AL700 Signal	Pin	Q7 R2.1 Signal	AL700 Signal
149	DP_LANE0+ / TMDS_LANE2+	DDIO_0P	150	HDMI_CTRL_DAT	DDIO_DDC_SDA_C
151	DP_LANE0- / TMDS_LANE2-	DDIO_0N	152	HDMI_CTRL_CLK	DDIO_DDC_SCL_C
153	HDMI_HPD#	DDIO_HDMI_HPD	154	DP_HPD#	DDIO_DP_HPD
155	PCIE_CLK_REF+	PCIE_CLK_REF+	156	PCIE_WAKE#	PCIE_WAKE2-
157	PCIE_CLK_REF-	PCIE_CLK_REF-	158	PCIE_RST#	CB_PLTRST_BUFF
159	GND	GND	160	GND	GND
161	PCIE3_TX+	PCIE_P3_TXP_C	162	PCIE3_RX+	PCIE_P3_RXP
163	PCIE3_TX-	PCIE_P3_TXN_C	164	PCIE3_RX-	PCIE_P3_RXN
165	GND	GND	166	GND	GND
167	PCIE2_TX+	PCIE_P2_TXP_C	168	PCIE2_RX+	PCIE_P2_RXP
169	PCIE2_TX-	PCIE_P2_TXN_C	170	PCIE2_RX-	PCIE_P2_RXN
171	UART0_TX	EC_SOUT1	172	UART0_RTS#	EC_RTS1#
173	PCIE1_TX+	PCIE_P1_TXP_C	174	PCIE1_RX+	PCIE_P1_RXP
175	PCIE1_TX-	PCIE_P1_TXN_C	176	PCIE1_RX-	PCIE_P1_RXN
177	UART0_RX	EC_SIN1	178	UART0_CTS#	EC_CTS1#
179	PCIE0_TX+	PCIE_P0_TXP_C	180	PCIE0_RX+	PCIE_P0_RXP
181	PCIE0_TX-	PCIE_P0_TXN_C	182	PCIE0_RX-	PCIE_P0_RXN
183	GND	GND	184	GND	GND
185	LPC_AD0 / GPIO0	LPC_AD0	186	LPC_AD1 / GPIO1	LPC_AD1
187	LPC_AD2 / GPIO2	LPC_AD2	188	LPC_AD3 / GPIO3	LPC_AD3
189	LPC_CLK / GPIO4	CLK1_25M_CB	190	LPC_FRAME# / GPIO5	LPC_FRAME-
191	SERIRQ / GPIO6	LPC_SERIRQ	192	LPC_LDRQ# / GPIO7	NC
193	VCC_RTC	V_3P0_BAT	194	SPKR / GP_PWM_OUT2	HDA_SPKR_3V3
195	FAN_TACHOIN / GP_TIMER_IN	SYSFAN	196	FAN_PWMOUT / GP_PWM_OUT1	PWMOUT
197	GND	GND	198	GND	GND
199	SPI_MOSI	SPI_MOSI_D0_3VSB	200	SPI_CS0#	SPI_CS0_CB
201	SPI_MISO	SPI_MISO_D1_3VSB	202	SPI_CS1#	NC
203	SPI_SCK	SPI_CLK_3VSB	204	MFG_NC4	NC
205	VCC_5V_SB	5VSB_P	206	VCC_5V_SB	VCC_5V_SB
207	MFG_NC0	NC	208	MFG_NC2	NC
209	MFG_NC1	NC	210	MFG_NC3	NC
211	NC	NC	212	NC	NC
213	NC	NC	214	NC	NC
215	NC	NC	216	NC	NC
217	NC	NC	218	NC	NC
219	VCC	CB_VIN	220	VCC	CB_VIN
221	VCC	CB_VIN	222	VCC	CB_VIN
223	VCC	CB_VIN	224	VCC	CB_VIN
225	VCC	CB_VIN	226	VCC	CB_VIN
227	VCC	CB_VIN	228	VCC	CB_VIN
229	VCC	CB_VIN	230	VCC	CB_VIN



DFI reserves the right to change the specifications at any time prior to the product's release. This QR may be based on editions that do not resemble your actual products. For more documentation and drivers, please visit the download page at [go.dfi.com/AL700](http://go.dfi.com/AL700), or via the QR code to the right.

