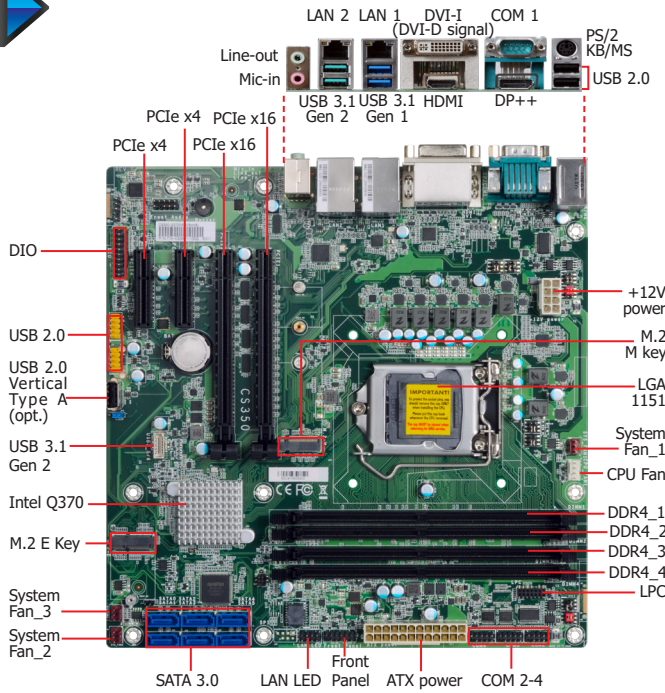


## CS350-Q370

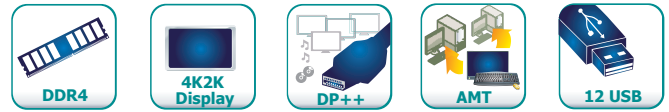
Desktop

Q370



### Features

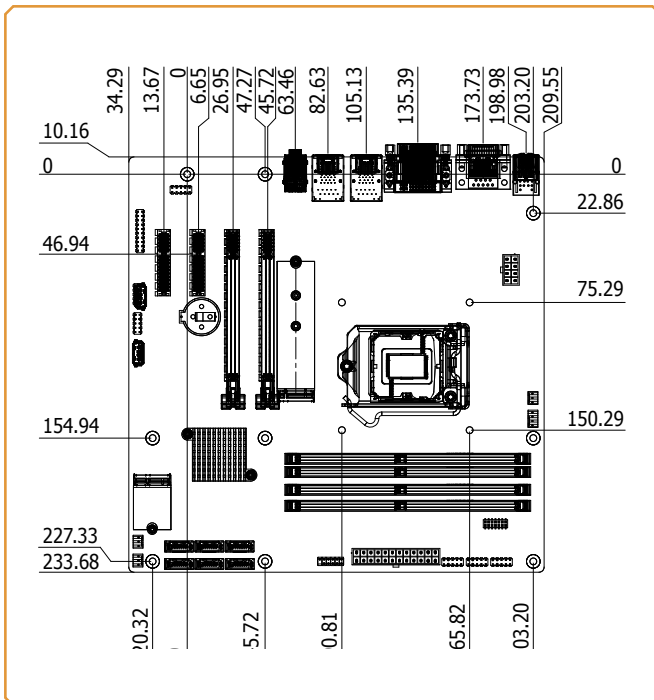
- 4 DDR4 DIMM up to 128GB
- Three display ports: DVI-D, DP++, HDMI 1.4b supports triple independent displays
- DP++ resolution up to 4096x2160 @ 60Hz  
DVI-D resolution up to 1920x1200 @ 60Hz  
HDMI 1.4b resolution up to 4096x2160@ 24Hz
- Multiple expansion: 2 PCIe x16 (1 x16 or 2 x8 signal), 2 PCIe x4, 1 M.2 E key, 1 M.2 M key (support Optane Memory)
- Rich I/O: 2 Intel GbE, 4 COM, 2 USB 3.1 Gen 2, 4 USB 3.1 Gen 1, 6 USB 2.0



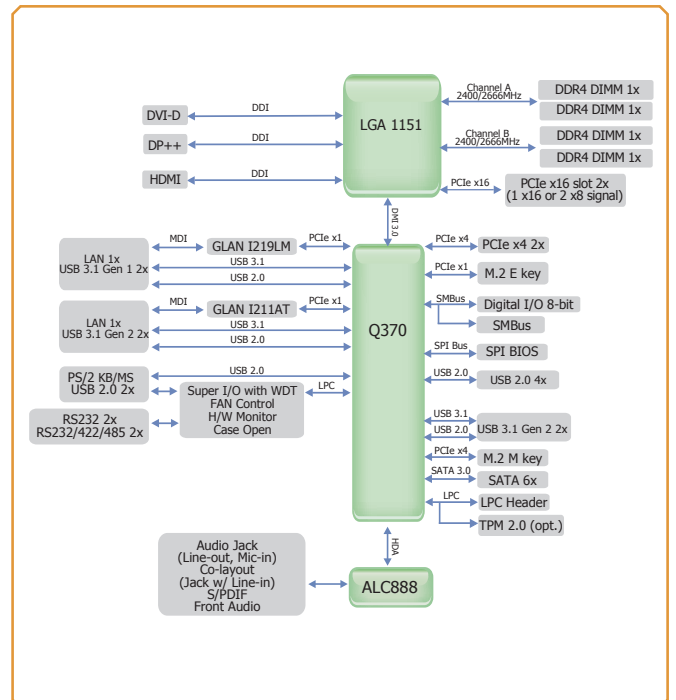
### Ordering Information

Model Name	P/N	Memory	GbE	RS-232/ 422/485	RS-232	USB 3.1 Gen 2	USB 3.1 Gen 1	USB 2.0	TPM 2.0	Power	Thermal	Temp.
CS350-Q370NRM	770-CS3501-100G	4 DIMM	2	2	2	4	2	6	0	24-pin ATX/8-pin ATX 12V	Active	-5 to 65°C
CS350-Q370NRM	770-CS3501-300G	4 DIMM	2	2	2	4	2	6	1	24-pin ATX/8-pin ATX 12V	Active	-5 to 65°C

### Mechanical Drawing



### Block Diagram



## ► Specifications

<b>SYSTEM</b>	<b>Processor</b>	8th Generation Intel® Core™ /Pentium®/Celeron® LGA 1151 Socket Processors, TDP support up to 95W: Intel® Core™ i7-8700 (6 Cores, 12M Cache, up to 4.6 GHz); 65W Intel® Core™ i7-8700T (6 Cores, 12M Cache, up to 4.0 GHz); 35W Intel® Core™ i5-8500 (6 Cores, 9M Cache, up to 4.1 GHz); 65W Intel® Core™ i5-8500T (6 Cores, 9M Cache, up to 3.5 GHz); 35W Intel® Core™ i3-8100 (4 Cores, 6M Cache, 3.6 GHz); 65W Intel® Core™ i3-8100T (4 Cores, 6M Cache, to 3.1 GHz); 35W Intel® Pentium® G5400 (2 Cores, 4M Cache, 3.7 GHz); 58W Intel® Pentium® G5400T (2 Cores, 4M Cache, 3.1 GHz); 35W Intel® Celeron® G4900 (2 Cores, 2M Cache, 3.1 GHz); 54W Intel® Celeron® G4900T (2 Cores, 2M Cache, 2.9 GHz); 35W  9th Generation Intel® Core™ LGA 1151 Socket Processors, TDP support up to 95W: Intel® Core™ i7-9700E (8 Cores, 12M Cache, up to 4.4 GHz); 65W Intel® Core™ i7-9700TE (8 Cores, 12M Cache, up to 3.8 GHz); 35W Intel® Core™ i5-9500E (6 Cores, 9M Cache, up to 4.2 GHz); 65W Intel® Core™ i5-9500TE (6 Cores, 9M Cache, up to 3.6 GHz); 35W Intel® Core™ i3-9100E (4 Cores, 6M Cache, 3.7 GHz); 65W Intel® Core™ i3-9100TE (4 Cores, 6M Cache, to 3.2 GHz); 35W	
	<b>Chipset</b>	Intel® Q370 Chipset	
	<b>Memory</b>	Four 288-pin DIMM up to 128GB Dual Channel DDR4 2400/2666 MHz (non ECC support)	
	<b>BIOS</b>	AMI SPI 128Mbit	
	<b>GRAPHICS</b>	<b>Controller</b>	Intel® HD Gen 9 Graphics
	<b>Feature</b>	OpenGL 5.0, DirectX 12, OpenCL 2.1 HW Decode: AVC/H.264, MPEG2, VC1/WMV9, JPEG/MJPEG, HEVC/H265, VP8, VP9 HW Encode: MPEG2, AVC/H264, JPEG, HEVC/H265, VP8, VP9	
	<b>Display</b>	1 x DP++ 1 x HDMI 1.4b 1 x DVI-I (DVI-D signal)	DVI-D: resolution up to 1920x1200 @ 60Hz DP++: resolution up to 4096x2106 @ 60Hz HDMI: resolution up to 4096x2160 @ 24Hz
	<b>Triple Displays</b>	DVI-D + DP++ + HDMI 1.4b	
<b>EXPANSION</b>	<b>Interface</b>	2 x PCIe x16 (Gen 3) (1 x16 signals or 2 x8 signals) 2 x PCIe x4 (Gen 3) 1 x M.2 2230 E key (PCIe x1/USB2.0/intel CNVi support) 1 x M.2 2242/2260/2280 M key (PCIe Gen3 x 4 NVMe)	
<b>AUDIO</b>	<b>Audio Codec</b>	Realtek ALC888	
<b>ETHERNET</b>	<b>Controller</b>	1 x Intel® i219LM PCIe (10/100/1000Mbps) with iAMT 12.0 (only Core i7/i5 supports iAMT) 1 x Intel® i211AT PCIe (10/100/1000Mbps)	
<b>REAR I/O</b>	<b>Ethernet</b>	2 x GbE (RJ-45)	
	<b>USB</b>	2 x USB 3.1 Gen 2 2 x USB 2.0	2 x USB 3.1 Gen 1
	<b>Serial</b>	1 x RS-232/422/485 (RS-232 w/ power) (DB-9)	
	<b>PS/2</b>	1 x PS/2 (mini-DIN-6)	
	<b>Display</b>	1 x DP++ 1 x DVI-I (DVI-D signal)	1 x HDMI
	<b>Audio</b>	1 x Line-out 1 x Mic-in	1 x Line-in (colay, opt. by request, MOQ required)
	<b>INTERNAL I/O</b>	<b>Serial</b>	1 x RS-232/422/485 (RS-232 w/ power) (2.54mm pitch) 2 x RS-232
	<b>USB</b>	2 x USB 3.1 Gen 2 4 x USB 2.0 (2.54mm pitch) (1 x USB 2.0 colay vertical Type A) (opt. by request, MOQ required)	
	<b>Audio</b>	1 x S/PDIF, 1 x Front Audio Header	
	<b>SATA</b>	6 x SATA 3.0 (up to 6Gb/s) RAID 0/1/5/10	
	<b>DIO</b>	1 x 8-bit DIO	
	<b>LPC</b>	1 x LPC	
	<b>SMBus</b>	1 x SMBus	
<b>WATCHDOG TIMER</b>	<b>Output &amp; Interval</b>	System Reset, Programmable via Software from 1 to 255 sec/min	
<b>SECURITY</b>	<b>TPM</b>	Infineon TPM 2.0 (Available Upon Request, MOQ required)	
<b>POWER</b>	<b>Type</b>	ATX	
	<b>Connector</b>	8-pin ATX 12V power	24-pin ATX power
	<b>Consumption</b>	Typical: i7-8700K: 3.3V @ 0.16A (0.53Watt); 5V @ 0.44A (2.2Watt); 12V @ 0.55A (6.6Watt) Max.: i7-8700K: 3.3V @ 0.35A (1.16Watt); 5V @ 1.34A (6.7Watt); 12V @ 12.54A (150.48Watt)	
	<b>RTC Battery</b>	CR2032 Coin Cell	
	<b>OS SUPPORT</b>		Windows 10 IoT Enterprise 64-bit
<b>ENVIRONMENT</b>	<b>Temperature</b>	Operating: -5 to 65°C Storage: -30 to 60°C with RTC Battery; -40 to 85°C without RTC Battery	
	<b>Humidity</b>	Operating: 5 to 90% RH	Storage: 5 to 90% RH
	<b>MTBF</b>	548,936 hrs @ 25°C; 308,161 hrs @ 45°C ; 191,020 hrs @ 60°C ; 162,350 hrs @ 65°C	
<b>MECHANICAL</b>	<b>Dimensions</b>	microATX form factor	244mm (9.6") x 244mm (9.6")
	<b>Height</b>	PCB: 1.6mm	Top Side: TBD, Bottom Side: TBD
<b>CERTIFICATIONS</b>		CE, FCC, RoHS	

## ► Packing List

• 1 CS350-Q370 motherboard	
• 1 COM port cable (W/Bracket, Length: 300mm, 2 x COM ports)	A81-015026-023G
• 1 Serial ATA data cable (W/LOCK, Length: 500mm)	332-553001-005G
• 1 I/O shield	A49-CS3501-000G
• M.2 Standoff	A33-725019-090G
• M.2 Screw	A32-112016-041G

## ► Optional Items

• USB 2.0 port cable (Length: 350mm)	A81-001066-016G
• USB3.1 Gen2 port cable (Length: 300mm)	A81-001075-017G
• COM port cable (Length: 300mm, 2 x COM ports)	A81-015026-023G
• Serial ATA data cable (Length: 500mm, W/LOCK)	332-553001-005G
• Thermal solution (For 35W, Height: 37.3mm)	A71-101107-000G
• Thermal solution (For 65W, Height: 74.47mm)	A71-101158-000G
• Thermal solution (For 95W, Height: 77.2mm)	761-103001-000G
• DP to HDMI Dongle	612-D2H13M-000G