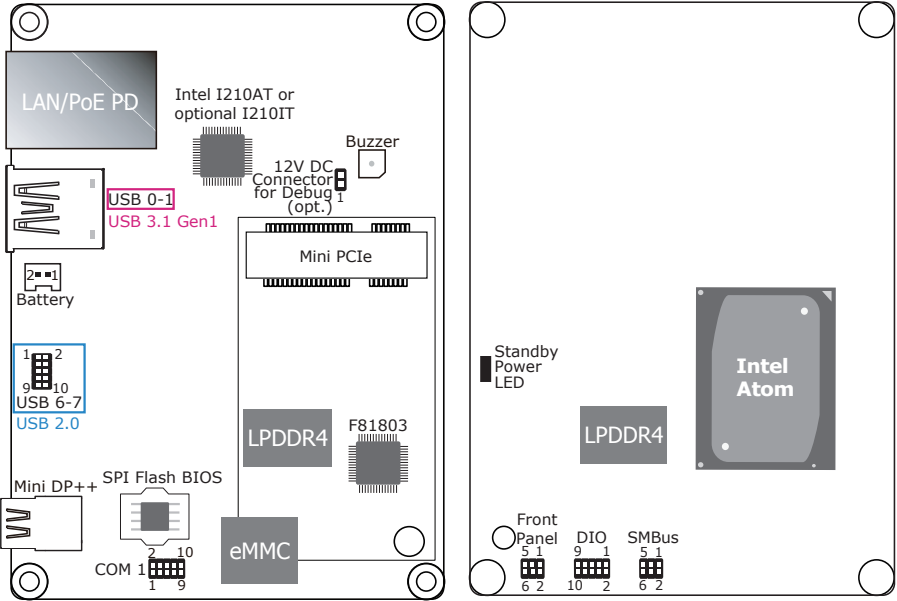


DFI

AL05P Quick Reference

Board Layout



TOP

BOTTOM

Pin Assignments

Front Panel

	Pin	Assignment		Pin	Assignment
ATX-SW	1	Signal	PWR-LED	2	LED Power
	3	GND		4	Signal
RESET	3	GND		6	SATA_LED
	5	Signal			

USB 2.0 6-7 Header

Pin	Assignment	Pin	Assignment
1	PWR	2	PWR
3	DATA-	4	DATA-
5	DATA+	6	DATA+
7	GND	8	GND
9	NC	10	NC

Digital I/O

Pin	Assignment	Pin	Assignment
1	DIO7	2	DIO6
3	DIO5	4	DIO4
5	DIO3	6	DIO2
7	DIO1	8	DIO0
9	+5V	10	GND

COM 1 Header: RS232/RS422/RS485

Pin	RS232	RS422 Full Duplex	RS485
1	DCD-	TX-	DATA-
2	RD	TX+	DATA+
3	TD	RX+	NC
4	DTR-	RX-	NC
5	GND	GND	GND
6	DSR-	NC	NC
7	RTS-	NC	NC
8	CTS-	NC	NC
9	RI-	NC	NC
10	GND	GND	GND

SMBus

Pin	Assignment	Pin	Assignment
1	3V3SB	2	GND
3	SMB_CLK	4	SMB_DATA
5	SMB_ALERT	6	GND

Battery

Pin	Assignment
1	+3.3V
2	GND

12V DC Connector for Debug (opt.)

Pin	Assignment
1	12VSB
2	GND



DFI reserves the right to change the specifications at any time prior to the product's release. For the latest information about the product, please refer to the user's manual at go.dfi.com/AL05P.

