

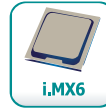
KS070-FS

ARM



Features

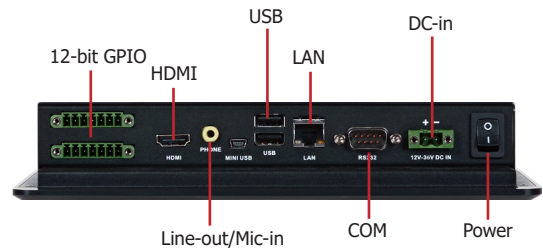
- 7" 1024x600 TFT LCD panel with touch screen
- 1 x SD socket for storage
- IP65 front panel protection
- 4GB eMMC for storage
- Rich I/O: 1 LAN, 2 COM, 2 USB 2.0, 1 USB OTG



Panel

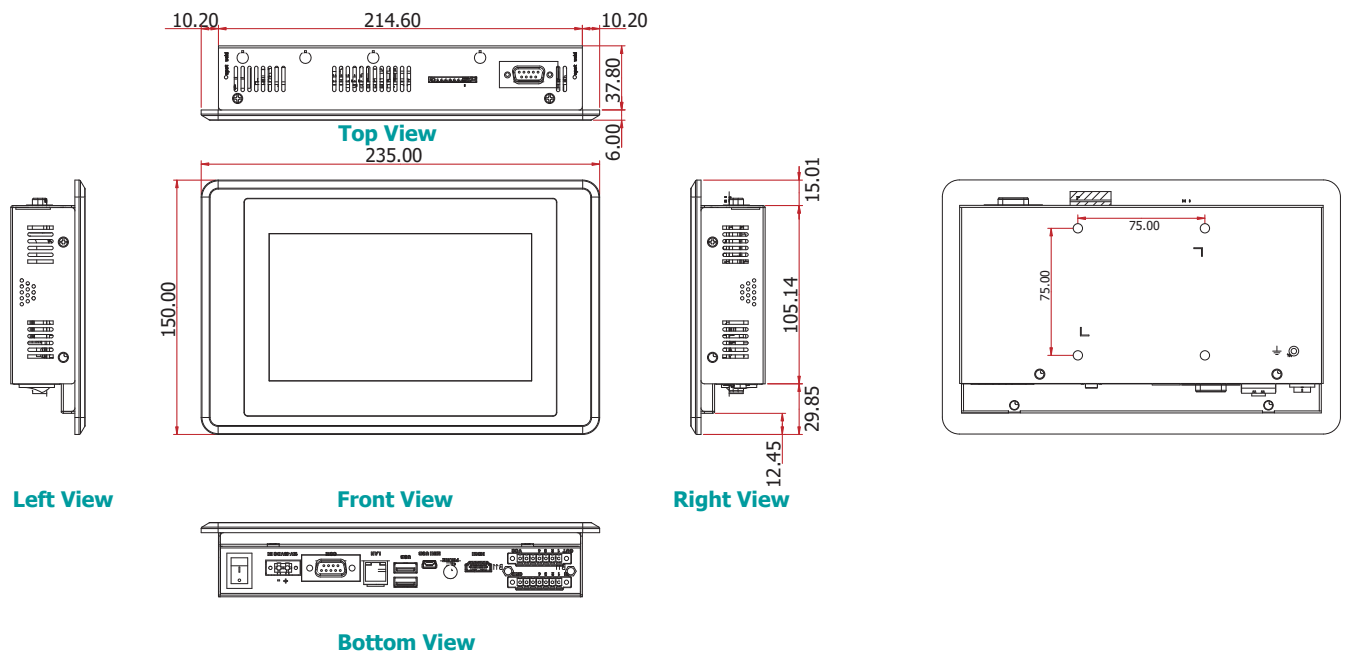


Top View



Bottom View

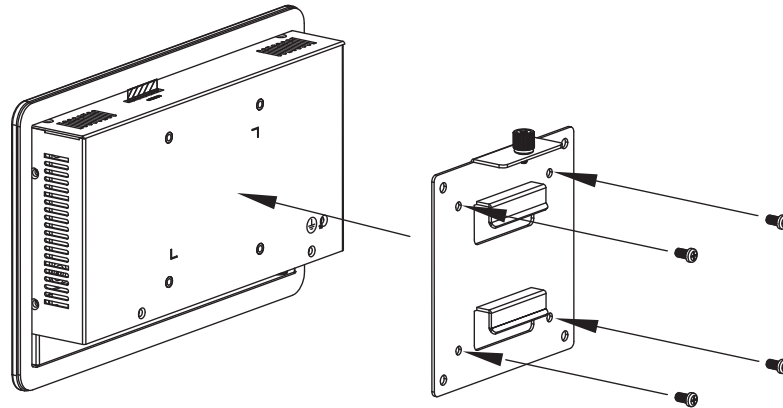
Dimensions



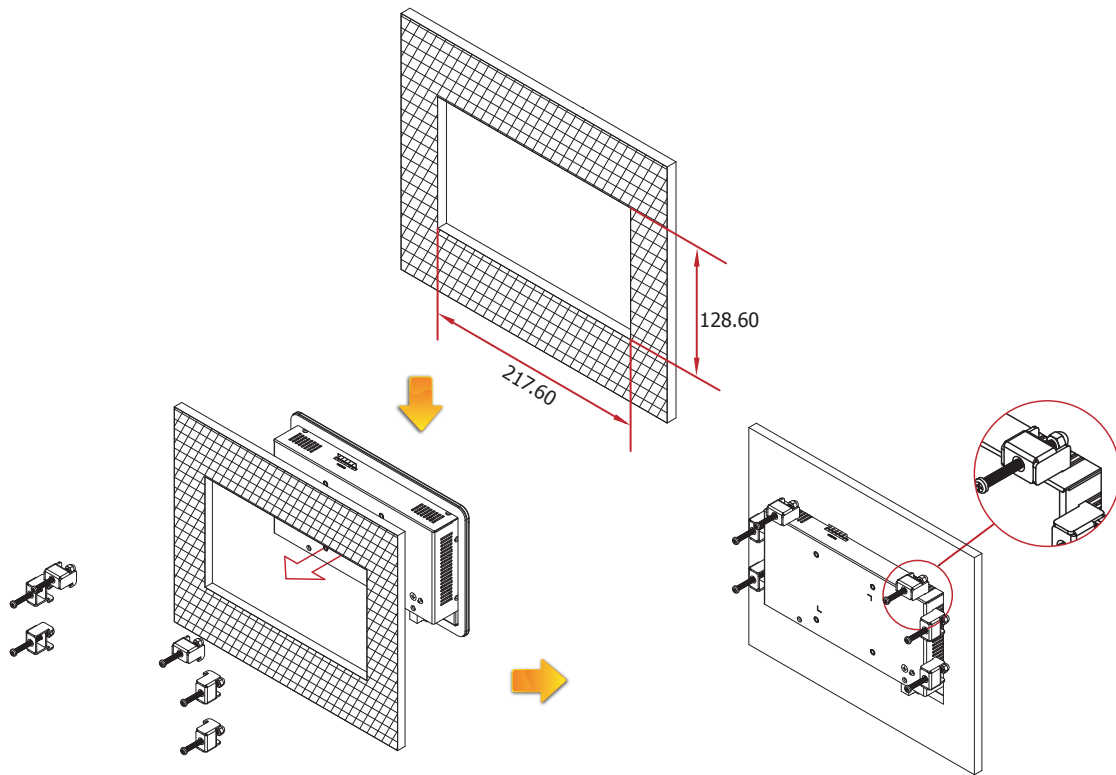
► Specifications

SYSTEM	Processor	NXP i.MX6 Series Processor NXP i.MX6 Cortex-A9 Dual Lite, 1.0GHz
	Memory	2GB SDRAM Memory Down Single Channel DDR3L 1600MHz
DISPLAY AND TOUCH SCREEN	Display	7" 1024x600 TFT LCD Panel with Capacitive Touch Screen
	Brightness	425 cd/m ²
	Contrast	800:1
	Backlight Lifetime	50,000 hours
GRAPHICS	Display	1 x HDMI HDMI: resolution up to 1920x1080 @ 60 Hz
	Single Display	HDMI
STORAGE		4GB eMMC 1 x SD Socket
EXPANSION	Interface	1 x Full-size Mini PCIe (PCIe/USB) 1 x mSATA
AUDIO	Audio Codec	Realtek ALC262
ETHERNET	Controller	1 x ATHEROS Ethernet Controller AR8033-AL1B (10/100/1000Mbps)
LED	Indicators	1 x Status LED
FRONT I/O	Ethernet	1 x GbE (RJ-45)
	Serial	1 x RS-232
	USB	2 x USB 2.0 (type A) 1 x OTG USB
	Display	1 x HDMI
	Buttons	1 x Power Reset Button
	BOTTOM I/O	Serial
	DIO	1 x 8-bit DIO
TOP I/O	Wi-Fi Antenna	2 x Wi-Fi Module Antenna Hole
INTERNAL I/O	USB	1 x MicroSD 1 x SIM
WATCHDOG TIMER	Output & Interval	System Reset, Programmable via Software from 1 to 255 Seconds
POWER	Type	Wide Range 12~36V
	Connector	2-Pole Terminal Block
OS SUPPORT		Android 4.3
MECHANISM	Construction	Sheet Metal
	Mounting	VESA, Panel Mount
	Dimensions (W x H x D)	235 x 150 x 43.8mm
	Weight	1.26kg
ENVIRONMENT	Operating Temperature	0 to 60°C
	Storage Temperature	-30 to 85°C
	Relative Humidity	10 to 90% RH (non-condensing)
STANDARDS AND CERTIFICATIONS	Shock	Operating: 3G, 11ms Non-Operating: 5G, 11ms
	Vibration	Operating: Random 5~500Hz, IEC68-2-64 (3G) Non-Operating: Sine 10~500Hz, IEC68-2-6 (3G)
	Certifications	CE, FCC Class B

▶ VESA Mounting



▶ Panel Mounting



▶ Ordering Information

Model Name	Part Number	Description
KS070-FS-IMX6	750-KS0702-000G	7" Panel PC, NXP IMX6DL, 2GB Memory, 4GB eMMC, Capacitive Touch

▶ Optional Items

Optional Items	Part Number	Description
Wi-Fi	761-AP1235-000G	Wi-Fi kit, RoHS
Power Cord	785-PWRD	Power cord, Standards (USA/EUR/CH), 1.8m, RoHS
Power Adapter	671-106012-000G	60W, 12V/5A, Level 6, RoHS
Panel Mount	761-KS2020-000G	7" Panel PC Panel Mount Kit, RoHS

785-XXX is a group number instead of a unique part number. Please contact your regional sales representative if you need more information.

▶ Packing List

• 1 KS070-FS Touch Panel PC
• 1 Poron foam
• 1 Quick Installation Guide