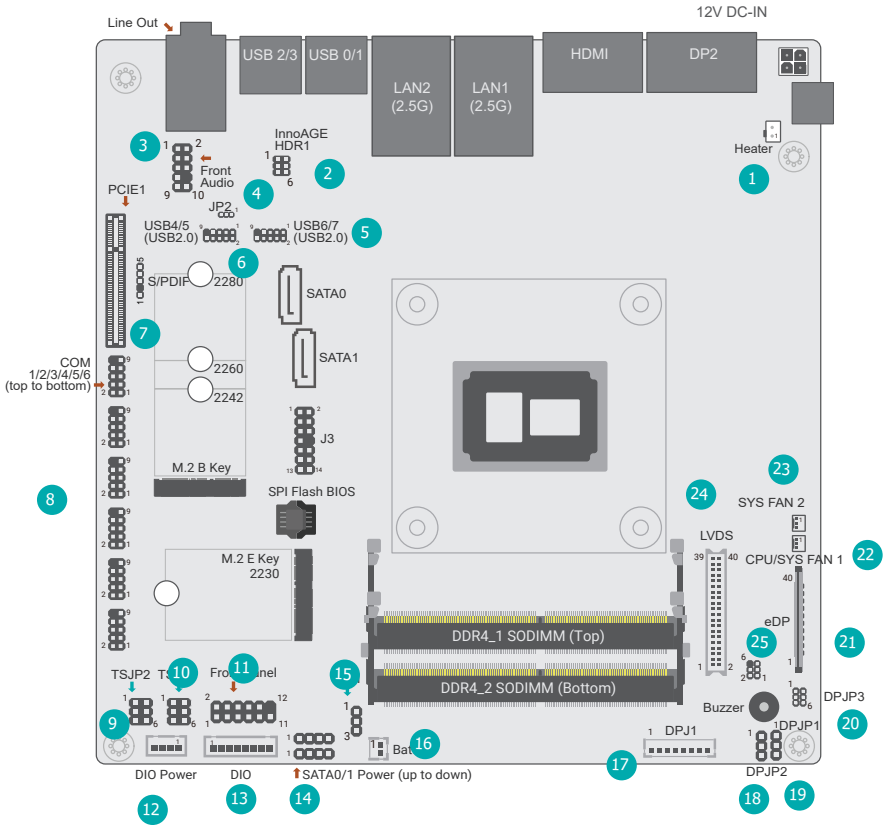
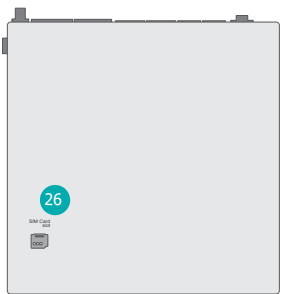


Board Layout



- | | | |
|------------------|-------------------------------|------------------|
| 1 Heater | 10 TSJP1 | 19 DPJP1 |
| 2 InnoAGE HDR1 | 11 Front Panel | 20 DPJP3 |
| 3 Front Audio | 12 DIO Power | 21 eDP |
| 4 JP2 | 13 DIO | 22 CPU/SYS FAN 1 |
| 5 USB6/7(USB2.0) | 14 SATA0/1 power (up to down) | 23 SYS FAN |
| 6 USB4/5(USB2.0) | 15 Clear CMOS (JP1) | 24 LVDS |
| 7 S/PDIF | 16 Battery | 25 J3 |
| 8 COM1~6 | 17 DPJ1 | 26 SIM |
| 9 TSJP2 | 18 DPJP2 | |



Jumper Settings

15 Clear CMOS

JP1

Normal (default)	1-2 On
Clear CMOS Data	2-3 On

10 COM1 Power Selection

TSJ1

RS232 Standard (Default)	1-3 On / 2-4 On
RS232 With Power	3-5 On / 4-6 On

9 COM 2 Power Selection

TSJ2

RS232 Standard (Default)	1-3 On / 2-4 On
RS232 With Power	3-5 On / 4-6 On

20 Panel VDD Power Jumper

DPJ3

12V	1-2 On
5V	3-4 On
3.3V(default)	5-6 On

19 Panel Backlight Selection

DPJ1

3.3V(default)	1-2 On
5V	2-3 On

18 Panel Inverter/Backlight Power Selection

DPJ2

12V(default)	1-2 On
5V	2-3 On

Pin Assignments

1 Heater

Pin	Function	Pin	Function
1	GND	2	HT_EN#

5 USB 2.0 6/7

Pin	Function	Pin	Function
1	5V_USB67	2	5V_USB67
3	USB2_6_C_N	4	USB2_7_C_N
5	USB2_6_C_P	6	USB2_7_C_P
7	GND	8	GND
9	---	10	N.C.

3 Front Audio

Pin	Function	Pin	Function
1	MIC2-L	2	AGND_AUDIO
3	MIC2-R	4	N.C.
5	LINE2-R	6	MIC2-JD
7	AGND_AUDIO	8	--
9	LINE2-L	10	LINE2-JD

6 USB 2.0 4/5

Pin	Function	Pin	Function
1	5V_USB45	2	5V_USB45
3	USB2_4_C_N	4	USB2_5_C_N
5	USB2_4_C_P	6	USB2_5_C_P
7	GND	8	GND
9	---	10	N.C.

7 S/PDIF

Pin	Function
1	A5V
2	--
3	SPOUT
4	GND
5	SPIN

8 COM1

Pin	Function	Pin	Function
1	MDCD1-/RS422_RX+ / RS485_D+	2	MSIN1-/RS422_RX- / RS485_D-
3	MSO1-/RS422_TX+	4	MDTR1-/RS422_TX-
5	GND	6	MDSR1-
7	MRTS1-	8	MCTS1-
9	MRI1-	10	--

Pin Assignments

8 COM2

Pin	Function	Pin	Function
1	MDCD2-/ RS422_RX+ / RS485_D+	2	MSIN2-/ RS422_RX- / RS485_D-
3	MSO2-/RS422_ TX+	4	MDTR2-/RS422_TX-
5	GND	6	MDSR2-
7	MRTS2-	8	MCTS2-
9	MRI2 -	10	--

8 COM3

Pin	Function	Pin	Function
1	MDCD3-	2	MSIN3-
3	MSO3-	4	MDTR3-
5	GND	6	MDSR3-
7	MRTS3-	8	MCTS3-
9	MRI3 -	10	--

8 COM4

Pin	Function	Pin	Function
1	MDCD4-	2	MSIN4-
3	MSO4-	4	MDTR4-
5	GND	6	MDSR4-
7	MRTS4-	8	MCTS4-
9	MRI4 -	10	--

8 COM5

Pin	Function	Pin	Function
1	MDCD5-	2	MSIN5-
3	MSO5-	4	MDTR5-
5	GND	6	MDSR5-
7	MRTS5-	8	MCTS5-
9	MRI5 -	10	--

8 COM6

Pin	Function	Pin	Function
1	MDCD6-	2	MSIN6-
3	MSO6-	4	MDTR6-
5	GND	6	MDSR6-
7	MRTS6-	8	MCTS6-
9	MRI6 -	10	--

12 DIO Power

Pin	Function
1	+12V
2	GND
3	5VSB
4	5V

11 Front Panel

Pin	Function	Pin	Function
1	N.C.	2	3V3SB
3	3V3	4	3V3SB
5	HD_LED#	6	SUS_LED#
7	GND	8	GND
9	PM_SYSRST#	10	SIO_ PWSIN#
11	N.C.	12	--

13 DIO

Pin	Function
1	D_IOA0_C
2	D_IOA1_C
3	D_IOA2_C
4	D_IOA3_C
5	D_IOA4_C
6	D_IOA5_C
7	D_IOA6_C
8	D_IOA7_C

14 SATA0/1 Power

Pin	Function
1	+12V
2	GND
3	GND
4	5V

16 Battery Header

Pin	Function	Pin	Function
1	V_BAT	2	GND

24 LVDS

Pin	Function	Pin	Function
1	GND	2	GND
3	LVDSA_LANE3_P	4	LVDSB_LANE3_P
5	LVDSA_LANE3_N	6	LVDSB_LANE3_N
7	GND	8	GND
9	LVDSA_LANE2_P	10	LVDSB_LANE2_P
11	LVDSA_LANE2_N	12	LVDSB_LANE2_N
13	GND	14	GND
15	LVDSA_LANE1_P	16	LVDSB_LANE1_P
17	LVDSA_LANE1_N	18	LVDSB_LANE1_N
19	GND	20	GND
21	LVDSA_LANE0_P	22	LVDSB_LANE0_P
23	LVDSA_LANE0_N	24	LVDSB_LANE0_N
25	GND	26	GND
27	LVDSA_CLK_P	28	LVDSB_CLK_P
29	LVDSA_CLK_N	30	LVDSB_CLK_N
31	GND	32	GND
33	LVDS_DDC_CLK	34	N.C.
35	LVDS_DDC_DATA	36	LVDS_3V3
37	LVDS_PANEL_PWR	38	LVDS_PANEL_PWR
39	LVDS_PANEL_PWR	40	LVDS_PANEL_PWR

21 eDP

Pin	Function	Pin	Function
1	N.C	21	EDP_VCC_PANEL
2	INV_PWR	22	EDP_VCC_PANEL
3	INV_PWR	23	EDP_VCC_PANEL
4	INV_PWR	24	GND
5	INV_PWR	25	eDPB_AUXN
6	N.C.	26	eDPB_AUXP
7	N.C.	27	GND
8	DIMMING_1	28	eDPB_LANE0_C_P
9	BLONOFF_1	29	eDPB_LANE0_C_N
10	eDP_GND	30	GND
11	eDP_GND	31	eDPB_LANE1_C_P
12	eDP_GND	32	eDPB_LANE1_C_N
13	eDP_GND	33	GND
14	eDP_HPD_CON_1	34	eDPB_LANE2_C_P
15	GND	35	eDPB_LANE2_C_N
16	GND	36	GND
17	GND	37	eDPB_LANE3_C_P
18	GND	38	eDPB_LANE3_C_N
19	N.C.	39	GND
20	EDP_VCC_PANEL	40	N.C.

22, 23 CPU/SYS FAN1/SYS FAN2

Pin	Function
1	GND
2	PWM
3	TACH

2 InnoAGE HDR1

Pin	Function	Pin	Function
1	PM_SYSRST#	2	GP_G14_RECOV#
3	SUS_LED#	4	HD_LED#
5	SIO_PWSIN#	6	GND

13 LVDS Backlight (DPJ1)

Pin	Function
1	GND
2	GND
3	DIMMING
4	GND
5	LVDS_PANEL_PWR
6	BLONOFF
7	INV_PWR
8	INV_PWR

2 Innoage HDR1

Pin	Function	Pin	Function
1	PM_SYSRST#	2	GP_G14_RECOV#
3	SUS_LED#	4	HD_LED#
5	SIO_PWSIN#	6	GND