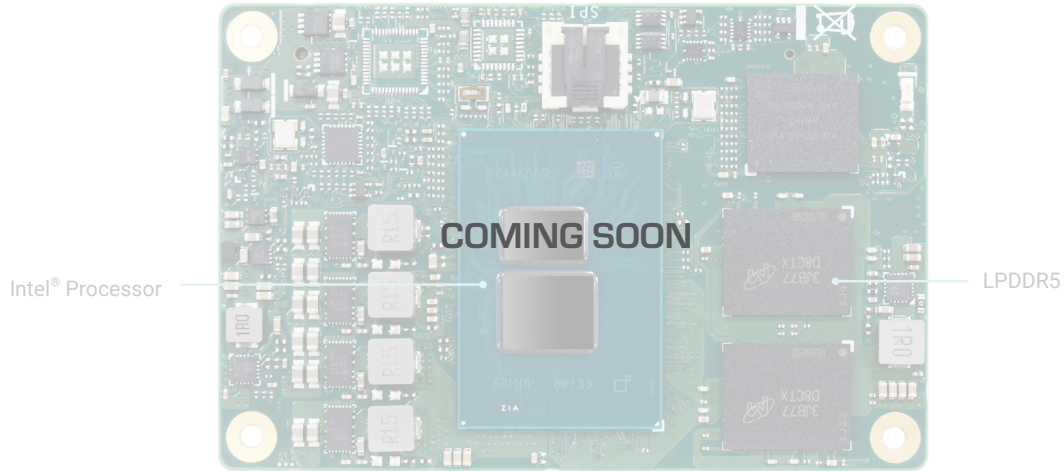


MTU9A2



Intel Core Ultra Processors
COM Express® Mini



Top View



Bottom View

KEY FEATURES



LPDDR5

LPDDR5-7467 up to 16GB



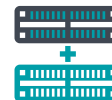
4K High Resolution

Supports 4K/ 2K resolution



High Speed Ethernet

Supports 100M/1000M/2.5Gbps



Multiple Expansion

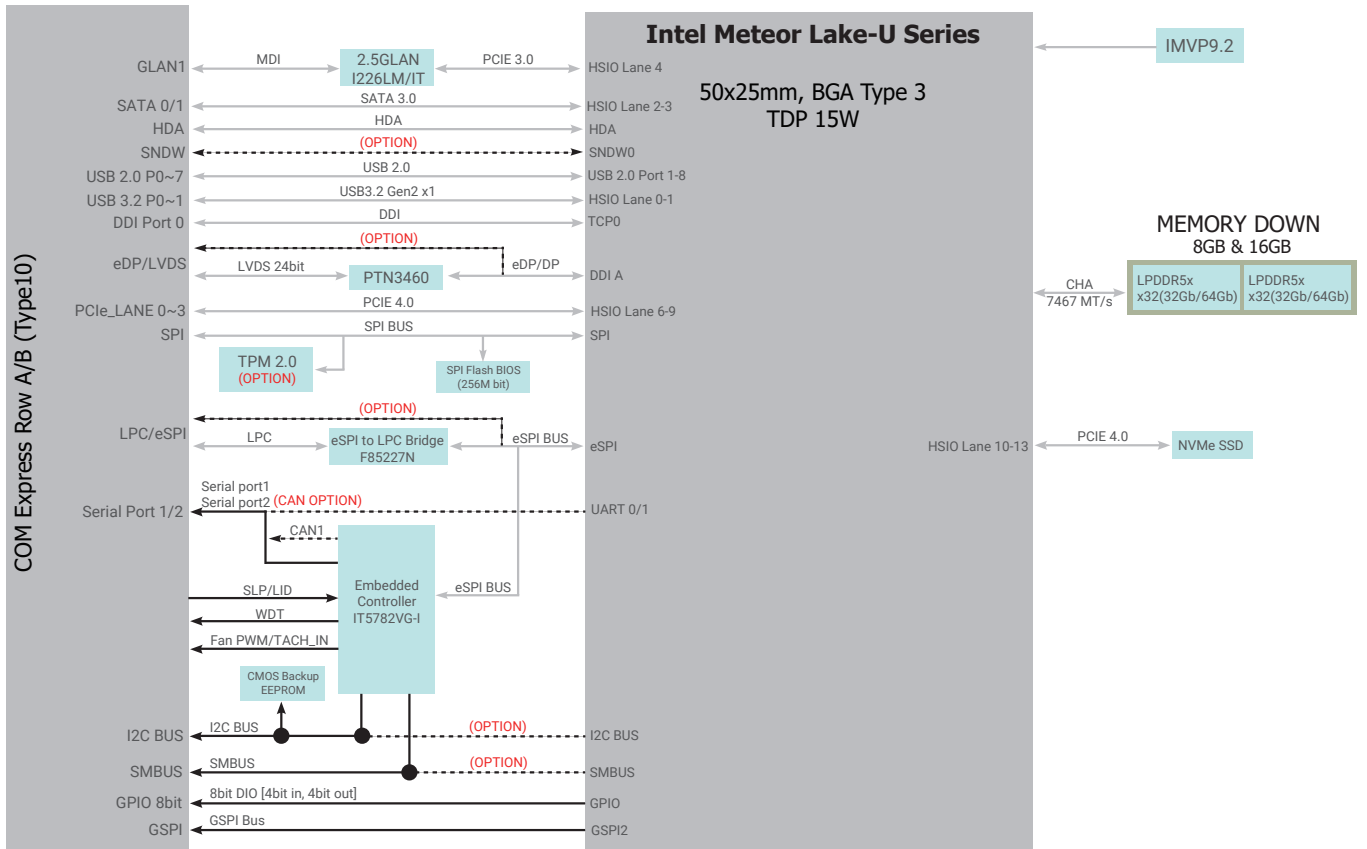
4 PCIe x1, 1 SMBus, 1 I²C, 1 NVMe SSD



Rich I/O

2 USB 3.2, 8 USB 2.0

BLOCK DIAGRAM



MECHANICAL DRAWING

COMING SOON

SPECIFICATION

SYSTEM	Processor	Intel Core Ultra U-series processors (Code Name : Meteor Lake U) Intel Core Ultra 7 Processor 165U (2 P-Cores x 1.7 GHz, 8 E-Cores x 1.2 GHz, 12MB cache,15W) Intel Core Ultra 7 Processor 155U (2 P-Cores x 1.7 GHz, 8 E-Cores x 1.2 GHz, 12MB cache,15W) Intel Core Ultra 5 Processor 135U (2 P-Cores x 1.6 GHz, 8 E-Cores x 1.1 GHz, 12MB cache,15W) Intel Core Ultra 5 Processor 125U (2 P-Cores x 1.3 GHz, 8 E-Cores x 0.8 GHz, 12MB cache,15W)		
	Memory	LPDDR5 up to 16GB		
		Single Channel LPDDR5 7467MHz		
		8GB/16GB supported by project basis. In-band ECC (IB ECC) Supported by Ubuntu		
BIOS	AMI SPI 256Mbit			
GRAPHICS	Controller	Intel® UHD		
	Feature	DX12, Open GL 4.6, Vulkan 1.2 (Windows) Mesa 3D, Open GL 4.6, Vulkan 1.2 (Linux) HW Decode : 4K60 8b 4:2:0 AVC HW Encode : 4K60 10b 4:4:4 HEVC/VP9/SCC 4K60 8b 4:2:0 AVC		
		Display	1 x DDI	
			1 x LVDS/eDP	
	LVDS: single channel 24-bit, resolution up to 1920x1200 @ 60Hz			
	eDP: resolution up to 4096x2160 @ 60Hz HDMI: resolution up to 4096x2160 @ 30Hz DP++: resolution up to 4096x2160 @ 60Hz, 3840x2160 @60Hz			
Dual Displays	DDI + LVDS/eDP			
EXPANSION	Interface	4 x PCIe x1 (Gen 3)		
		1 x I2C		
		1 x SMBus		
		1 x LPC/eSPI		
		1 x SNDW (available upon request)		
		1 x GSPI		
		2 x UART (TX/RX)		
AUDIO	Interface	HD Audio		
ETHERNET	Controller	1 x Intel® I226-IT (10/100/1000Mbps/2.5Gbps)		
I/O	USB	2 x USB 3.2 Gen2		
		8 x USB 2.0		
	SATA	2 x SATA 3.0 (up to 6Gb/s)		
	NVMe SSD	1 x 64GB/128GB/256GB/512GB/1024GB on board SSD (available upon request)		
	DIO	1 x 8-bit DIO		
WATCHDOG TIMER	Output & Interval	System Reset, Programmable via Software from 1 to 255 Seconds		
SECURITY	TPM	dTPM or fTPM (Optional)		
POWER	Type	4.75V~20V, 5VSB, VCC_RTC (ATX mode)		
		4.75V~20V, VCC_RTC (AT mode)		
	Consumption	TBD		
OS SUPPORT	OS Support (UEFI Only)	Windows 10 IoT Enterprise 64-bit		
		Windows 11		
		Linux		
ENVIRONMENT	Temperature	Operating: -5 to 65°C		
		Storage: -40 to 85°C		
	Humidity	Operating: 5 to 90% RH		
		Storage: 5 to 90% RH		
	MTBF	TBD		
MECHANISM	Dimensions	COM Express® Mini	84mm (3.3") x 55mm (2.16")	
	Compliance	PICMG COM Express® R3.1, Type 10		
STANDARDS AND CERTIFICATIONS	Certifications	CE, FCC		

PACKING LIST

Cooler	TBD
--------	-----

OPTIONAL ITEMS

Heat Spreader	TBD
COM335 Carrier Board Kit	770-CM3351-000G