

WM343

Wallmount Chassis for microATX

KEY FEATURES



Wall mount Chassis

Wallmount Chassis for microATX MB



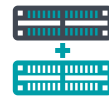
Diverse Storage Support

Up to 2x 3.5"/2.5" SATA drive bays



Optional optical drive bay

1x optional optical drive bay



Expansion Available

Supports up to 4 expansion slots



Design with FlexATX PSU

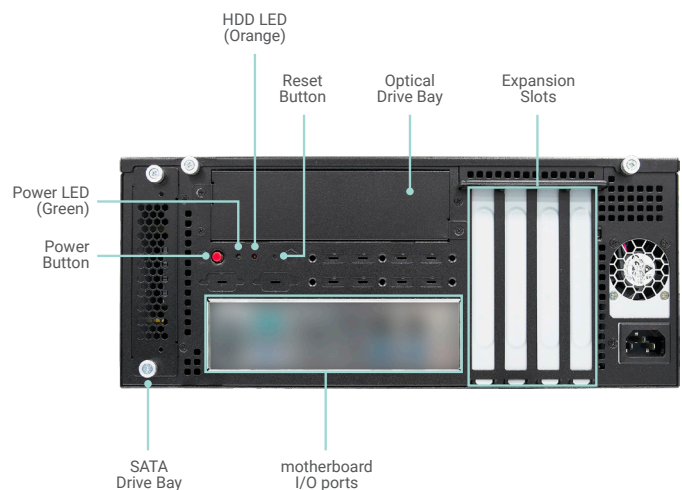
Optimized chassis design with FlexATX PSU



PANEL

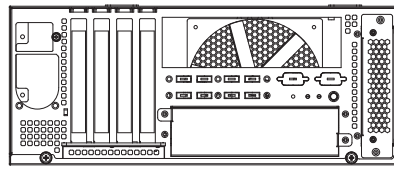


Front View

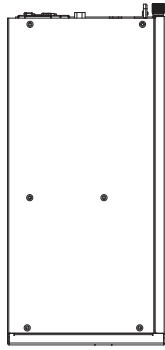


Rear View

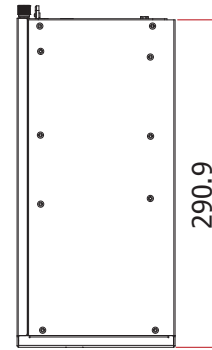
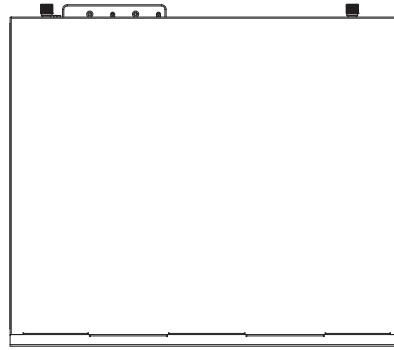
DIMENSIONS



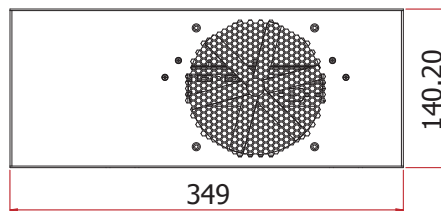
Rear View



Left view

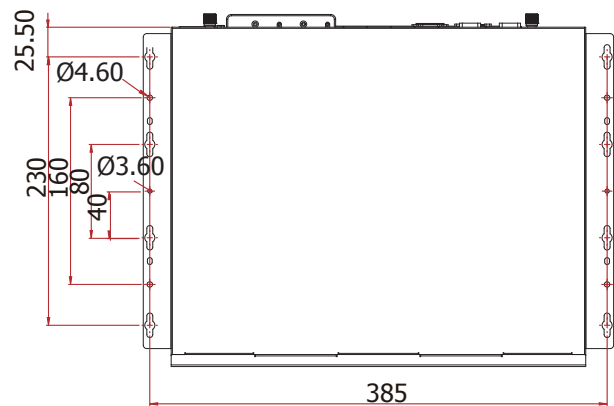
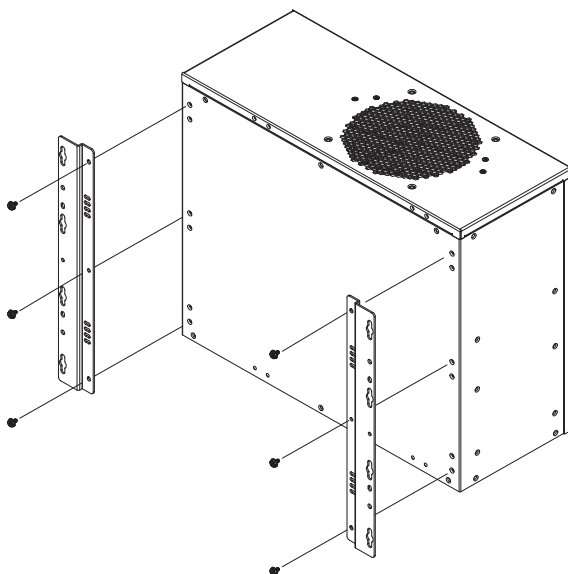


Right view



Front view

WALL MOUNTING



SPECIFICATION

DRIVE BAY	External/Internal	1 x 3.5" SATA drive bay, by default 1 x 5.25" Optical Drive Bay by Opt.
EXPANSION	Interface	4 x Expansion Slots
RESERVED I/O HOLES (OPT.)	Front	N/A
	Rear	2 x DB-9 Cutout 4 x 2 USB 2.0 Cutout
PANEL CONTROL / LED	Buttons	1 x Power Switch 1 x Reset Switch 1 x Power LED 1 x HDD LED
COOLING	Fan	1 x 120mm System Fan
POWER	Supply	FlexATX
PHYSICAL CHARACTERISTICS	Dimensions (W x H x D)	349 x 140.2 x 290.9mm
	Weight	7 Kg (15.4lb)
STANDARDS AND CERTIFICATIONS	Shock	Operating: 3G Non-operating: 3G
	Vibration	Operating: random 5~500Hz 0.5G Non-operating: Sweep Sine 10~500Hz 1.5G

OPTIONAL ITEMS

Optional Items	Part Number	Description
2.5" HDD/SSD Support	531-510360-000G	One F3 x5 Copper Standoff, RoHS (note: one bay needs 4 pcs of standoff)
Wall Mount	761-WM3410-000G	WM343/WM341 Wall Mount Kit, RoHS