



# EC531/EC532-HD

H81



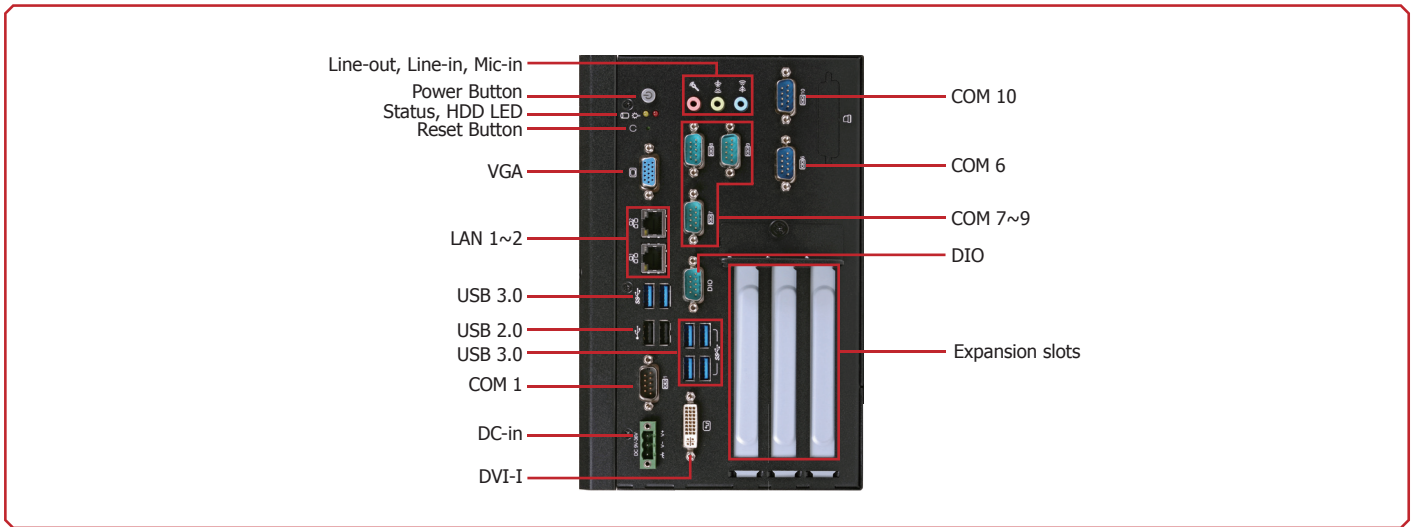
## Features

- Supports DDR3 SODIMM up to 16GB
- 2x 2.5" SATA drive bays
- 3 expansion slots

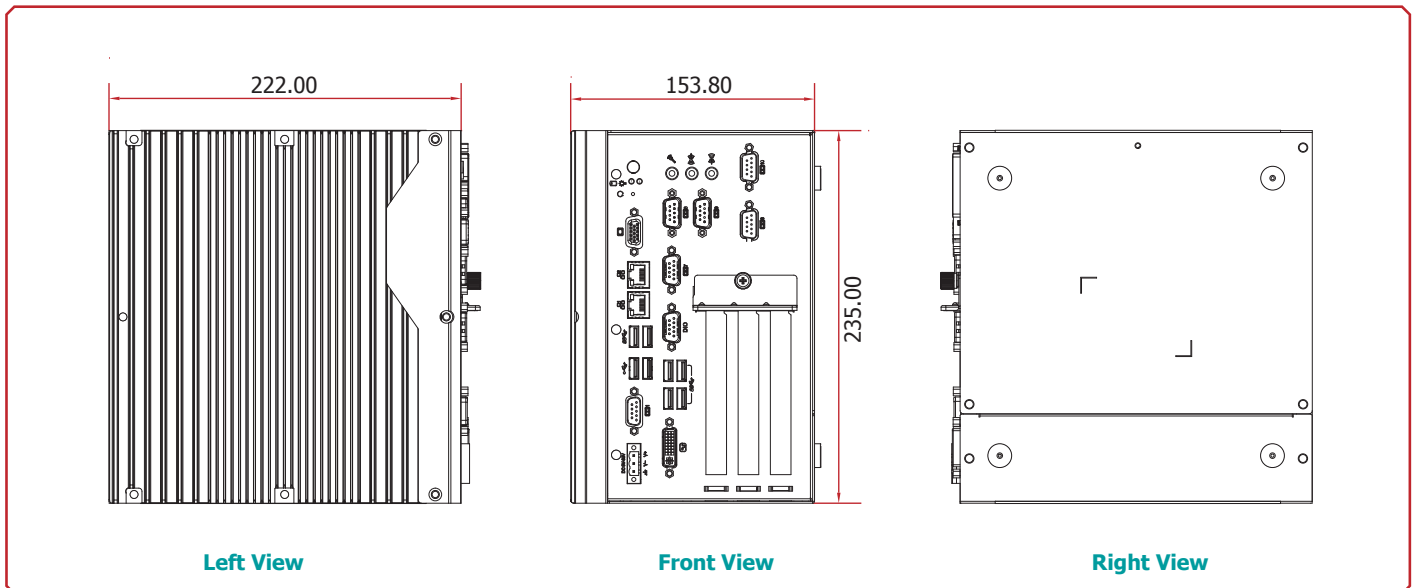


1 Vertical USB for securing data from unauthorized access

## Panel



## Dimensions



# EC531/EC532-HD

## ► Specifications \* Optional and is not supported in standard model. Please contact your sales representative for more information.

### PROCESSOR SYSTEM

- CPU
  - 4th Generation Intel® Core™ processors (22nm process technology)
    - : Intel® Core™ i7-4770TE (8M Cache, up to 3.3 GHz); 45W
    - : Intel® Core™ i5-4590T (6M Cache, up to 3.0 GHz); 35W
    - : Intel® Core™ i5-4570TE (4M Cache, up to 3.3 GHz); 35W
    - : Intel® Core™ i3-4350T (4M Cache, 3.1 GHz); 35W
    - : Intel® Core™ i3-4340TE (4M Cache, 2.6 GHz); 35W
    - : Intel® Core™ i3-4330TE (4M Cache, 2.4 GHz); 35W
    - : Intel® Pentium® G3320TE (3M Cache, 2.3 GHz); 35W
    - : Intel® Celeron® G1820TE (2M Cache, 2.2 GHz); 35W
- Chipset: Intel® H81 Express Chipset

### MEMORY

- Two 204-pin DDR3 SODIMM sockets
- Supports DDR3 1333/1600MHz
- Supports up to 16GB system memory
- Supports dual channel memory interface

### GRAPHICS

- Intel® HD Graphics
- Display ports: 1 VGA, 1 DVI-I\*
- VGA: 24-bit, resolution up to 1920x1200 @ 60Hz
- DVI-I: resolution up to 1920x1200 @ 60Hz

### STORAGE

- 2 2.5" SATA drive bays
  - SATA 3.0 port with data transfer rate up to 6Gb/s
- Supports 1 mSATA module via the mini PCIe socket

### ETHERNET

- Intel® I210 PCI Express Gigabit Ethernet controller
- Intel® I217 Gigabit Ethernet Phy
- Integrated 10/100/1000 transceiver
- Fully compliant with IEEE 802.3, IEEE 802.3u, IEEE 802.3ab

### AUDIO

- Realtek ALC886 5.1-channel High Definition Audio
- S/PDIF audio interface

### EXPANSION

- EC531
  - 2 PCI slots
  - 1 PCIe x16 slot
  - 1 Mini PCIe slot
    - : Supports USB and PCIe signals
    - : Supports mSATA, Wi-Fi or 3G\*
    - : Supports half size or full size Mini PCIe card
- EC532
  - 1 PCI slot
  - 2 PCIe x16 slots
    - : 1 x1 signal and 1 x8 signal
  - 1 Mini PCIe slot
    - : Supports USB and PCIe signals
    - : Supports mSATA, Wi-Fi or 3G\*
    - : Supports half size or full size Mini PCIe card

### POWER

- Power input voltage: 9~36V DC-in

### ENVIRONMENT

- Temperature
  - Operating: 0°C ~ 45°C
  - Storage: -20°C ~ 85°C
  - Humidity: 5% ~ 90%
- Operating Vibration
  - IEC68-2-64
- Operating Shock
  - Half sine wave 3G, 11ms, 3 shock per axis

### CONSTRUCTION

- Aluminum + SGCC

### MOUNTING

- Wall mount
  - Mounting brackets and screws\*

### DIMENSIONS

- 235mm x 153.8mm x 222mm (W x H x D)

### WEIGHT

- 7.08kg

### OS SUPPORT

- Windows XP (32-bit) (limited function)
  - Windows 7, WES 7, Windows 8, WES8
- Linux (Distribution available upon request)

### OTHER FEATURES

- Watchdog timeout programmable via software from 1 to 255 seconds

### CERTIFICATION

- CE
- FCC Class A
- RoHS

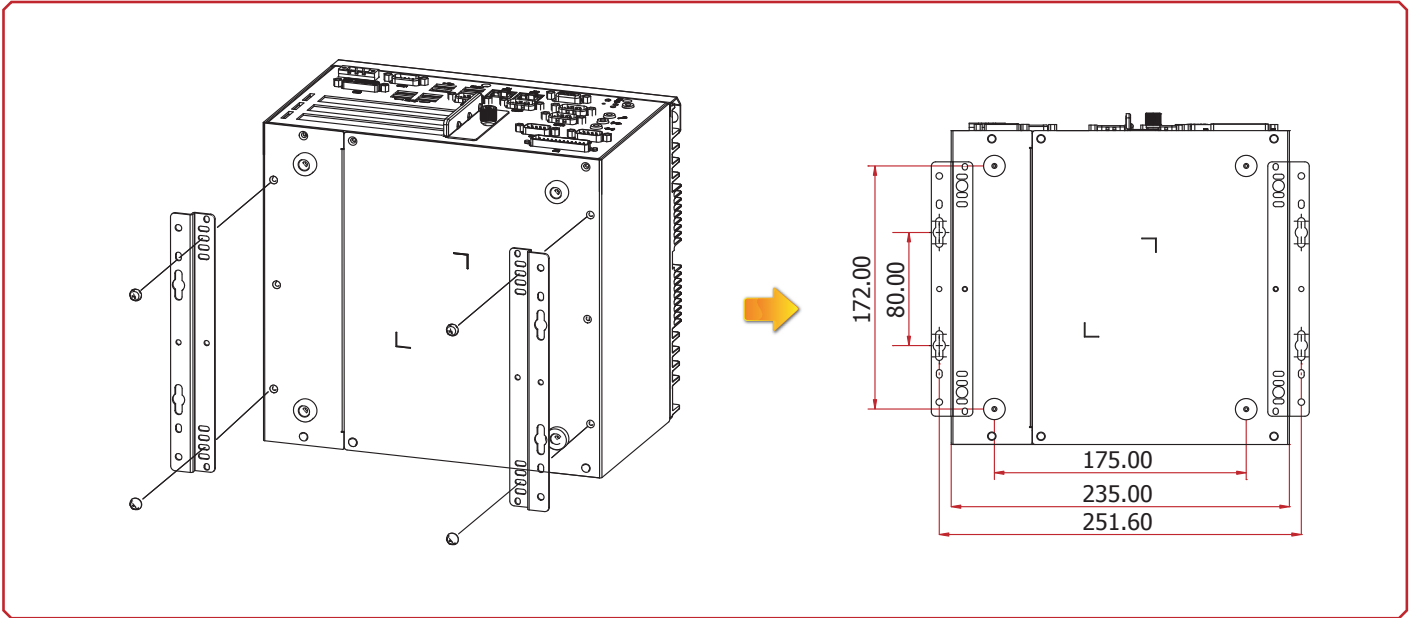
## ► System Models

Front I/O Ports	EC532-HD1040	EC531/EC532-HD6881
DC-in power jack: 3-pole terminal block	1	1
VGA: DB-15 D-sub	1	1
DVI-I	0	1
Audio jacks: Mic-in, Line-in, Line-out	0	1
LAN: RJ45	2	2
RS232/422/485 COM: DB-9 D-Sub	0	3
RS232 COM: DB-9 D-Sub	1	3
USB 2.0 Type A	2	2
USB 3.0 Type A	2	6
8-bit DIO via DB-9 D-Sub	0	1
Power button	1	1
Reset button	1	1
Status LED	1	1
HDD LED	1	1



# EC531/EC532-HD

▶ Wall Mounting



# EC531/EC532-HD

## ► Ordering Information

Model Name	Part Number	Description
<b>EC531-HD6881</b>	750-EC5310-100G	Fanless, i7/i5/i3, H81, 1 VGA, 1 DVI, 6 COM, 8 USB, 8-bit DIO, 2 PCI, 1 PCIe x16, RoHS
<b>EC532-HD1040</b>	750-EC5320-000G	Fanless, i7/i5/i3, H81, 1 VGA, 1 COM, 4 USB, 1 PCI, 2 PCIe x16, RoHS
<b>EC532-HD6881</b>	750-EC5320-200G	Fanless, i7/i5/i3, H81, 1 VGA, 1 DVI, 6 COM, 8 USB, 8-bit DIO, 1 PCI, 2 PCIe x16, RoHS

## ► Optional Items

Optional Items	Part Number	Description
<b>CPU</b>	785-1150DL	CPU, LGA1150, Long-Term Support, RoHS
<b>Memory</b>	785-RSOD38G-L	SODIMM, DDR3L Module (supports dual voltage 1.5V DDR3/1.35V DDR3L), 8GB, RoHS
	785-RSOD34G-L	SODIMM, DDR3L Module (supports dual voltage 1.5V DDR3/1.35V DDR3L), 4GB, RoHS
	785-RSOD32G-L	SODIMM, DDR3L Module (supports dual voltage 1.5V DDR3/1.35V DDR3L), 2GB, RoHS
<b>HDD</b>	785-H25500G	2.5" SATA HDD, 500GB, RoHS
	785-H25320G	2.5" SATA HDD, 320GB, RoHS
	785-S251TBG	2.5" SATA SSD, 1TB MLC, RoHS
	785-S25512G	2.5" SATA SSD, 512GB MLC, RoHS
	785-S25256G	2.5" SATA SSD, 256GB MLC, RoHS
	785-S25128G	2.5" SATA SSD, 128GB MLC, RoHS
	785-S25064G	2.5" SATA SSD, 64GB MLC, RoHS
<b>mSATA</b>	785-MS128GMF	mSATA Card, 128GB MLC, RoHS
	785-MS64GMF	mSATA Card, 64GB MLC, RoHS
	785-MS32GMF	mSATA Card, 32GB MLC, RoHS
	785-MS16GMF	mSATA Card, 16GB MLC, RoHS
	785-MS08GMF	mSATA Card, 8GB MLC, RoHS
	785-MS04GMF	mSATA Card, 4GB MLC, RoHS
<b>Wi-Fi</b>	761-110091-000G	Wi-Fi Kit, RoHS
<b>Power Cord</b>	785-PWRD	Power Cord, Standards (USA/EUR/CH), 1.8m, RoHS
<b>Power Adapter</b>	671-110003-100G	120W, 19V/6.31A, Level 6, RoHS
<b>Wall Mount</b>	761-EC5410-000G	Wall Mount Kit, RoHS

## ► Packing List

- 1 EC531/EC532 system unit