

WM343-CMS

Q470E
H420E

10th Gen Intel® Core™
Wallmount Box PC



KEY FEATURES



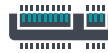
Upgraded CPU

Powered by 10th Gen Intel® Core™



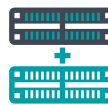
Triple Independent Display

VGA + DP++ + HDMI



Diverse Storage Support

3.5"/2.5" SATA + 5.25" optical drive bay



Multiple Expansion

Support 1 PCIe x16, 1 PCIe x4, 2 PCI,
1 M.2 M Key, 1 M.2 E Key



15 Years Long Term Support

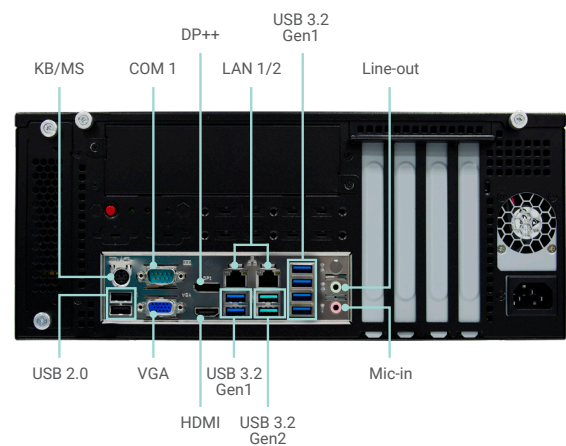
15-Year CPU Life Cycle Support Until Q2' 34



PANEL

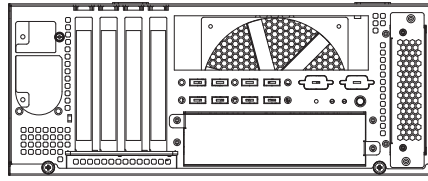


Front View

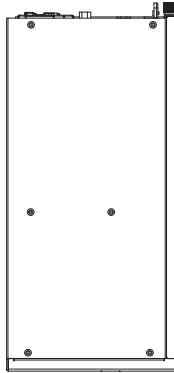


Rear View

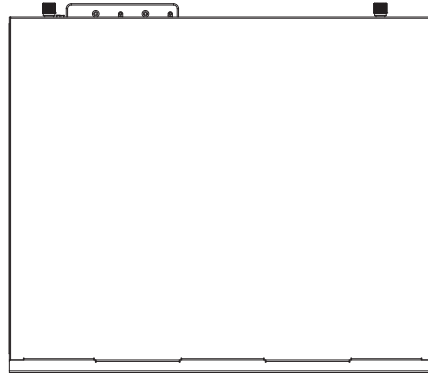
DIMENSIONS



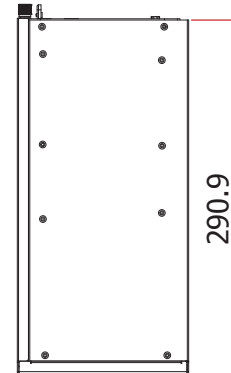
Rear View



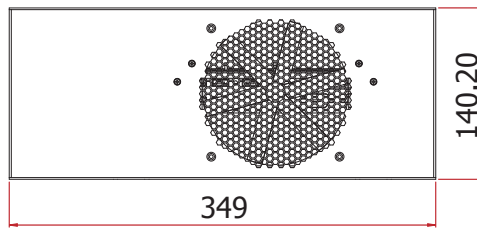
Left View



Top View

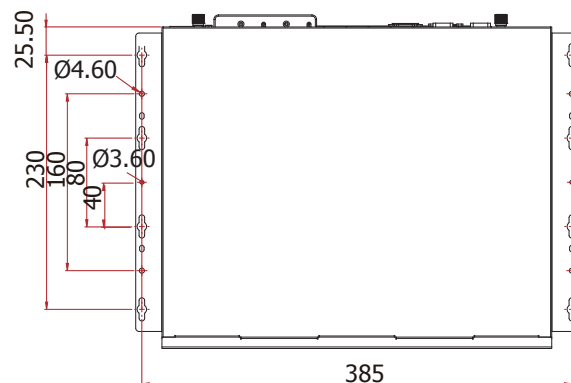
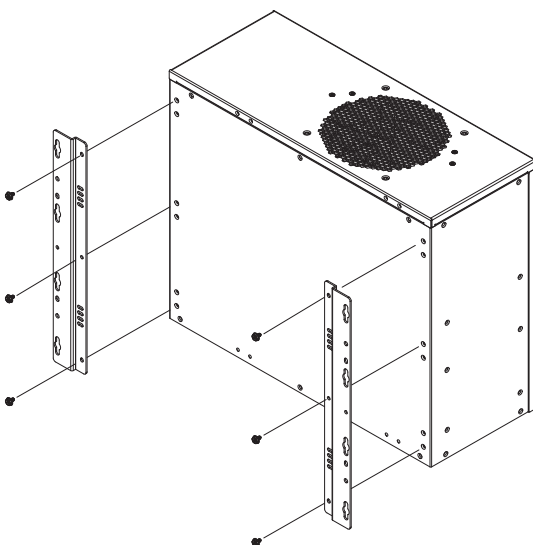


Right View



Front View

WALL MOUNTING



SPECIFICATION

SYSTEM	Processor	10th Generation Intel® LGA 1200 Socket Processors, TDP support up to 125W Intel® Core™ i9-10900E (10 Cores, 20M Cache, up to 4.7 GHz); 65W Intel® Core™ i9-10900TE (10 Cores, 20M Cache, up to 4.5 GHz); 35W Intel® Core™ i7-10700E (8 Cores, 16M Cache, up to 4.5 GHz); 65W Intel® Core™ i7-10700TE (8 Cores, 16M Cache, up to 4.4 GHz); 35W Intel® Core™ i5-10500E (6 Cores, 12M Cache, up to 4.2 GHz); 65W Intel® Core™ i5-10500TE (6 Cores, 12M Cache, up to 3.7 GHz); 35W Intel® Core™ i3-10100E (4 Cores, 6M Cache, 3.8 GHz); 65W Intel® Core™ i3-10100TE (4 Cores, 6M Cache, to 3.6 GHz); 35W Intel® Pentium® G6400E (2 Cores, 4M Cache, 3.8 GHz); 58W Intel® Pentium® G6400TE (2 Cores, 4M Cache, 3.2 GHz); 35W Intel® Celeron® G5900E (2 Cores, 2M Cache, 3.2 GHz); 58W Intel® Celeron® G5900TE (2 Cores, 2M Cache, 3.0 GHz); 35W
	Chipset	Intel® Q470E/H420E Chipset
	Memory	Q470E: Four 288-pin Non-ECC UDIMM up to 128GB H420E: Two 288-pin Non-ECC UDIMM up to 64GB Dual Channel DDR4 2400/2666/2933MHz
	BIOS	AMI SPI 256Mbit
GRAPHICS	Controller	Intel® HD Gen 9 Graphics
	Feature	OpenGL 4.5, DirectX 12, OpenCL 2.1 HW Decode: AVC/H.264, MPEG2, VC1/WMV9, JPEG/MJPEG, HEVC/H265, VP8, VP9 HW Encode: MPEG2, AVC/H264, JPEG, HEVC/H265, VP8, VP9
	Display	1 x VGA 1 x DP++ 1 x HDMI 1.4b VGA: resolution up to 1920x1200 @ 60Hz DP++: resolution up to 4096x2160 @ 60Hz HDMI: resolution up to 4096x2160 @ 24Hz
	Triple Displays	Q470E: VGA + DP++ + HDMI H420E: VGA + DP++ / VGA + HDMI / DP++ + HDMI
STORAGE	External	1 or 2 x 3.5"/2.5" SATA 3.0 drive bays (1 x 3.5" SATA drive bay, by default) 1 x 5.25" Optical drive bay
	Internal	Q470E: 1 x M.2 2242/2260/2280 M Key (PCIe Gen3 x4 NVMe/SATA/Intel® Optane Memory and intel RST support) 1 x M.2 2230 E Key (USB 2.0/PCIe)
	Interface	1 x PCIe x16 (Gen 3) 1 x PCIe x4 (Gen 3) 2 x PCI
AUDIO	Audio Codec	Realtek ALC888
	Interface	1 x Line-out 1 x Mic-in 1 x Line-in (opt., MOQ required)
ETHERNET	Controller	1 x Intel® I211AT PCIe (10/100/1000Mbps) 1 x Intel® I219LM PHY with iAMT12.0 (10/100/1000Mbps) (Q470E: Core i9/ i7/i5 supports iAMT)
LED	Indicators	1 x Power LED 1 x HDD LED
REAR I/O	Ethernet	2 x GbE (RJ-45)
	Serial	1 x RS-232/422/485 (RS-232 w/ power) (DB-9)
	USB	2 x USB 3.2 Gen2 2 x USB 3.2 Gen1 (Up to 6 x USB 3.2 Gen1, MOQ required) 2 x USB 2.0
	PS/2	1 x PS/2 (mini-DIN-6)
	Display	1 x VGA 1 x DP++ 1 x HDMI
	Audio	1 x Line-out 1 x Mic-in 1 x Line-in (opt., MOQ required)
	Buttons	1 x Power button 1 x Reset button
COOLING	Fan	1 x 12cm System Fan
WATCHDOG TIMER	Output & Interval	System Reset, Programmable via Software from 1 to 255 Seconds
SECURITY	TPM	Infineon TPM1.2/2.0 (optional)
POWER	Supply	Flex ATX 150W/250W/350W/400W/500W (250W Default)
OS SUPPORT	Microsoft	Windows 10
	Linux	Linux

SPECIFICATION

ENVIRONMENT	Operating Temperature	0 to 45°C
	Storage Temperature	0 to 60°C
	Relative Humidity	5 to 95% RH (non-condensing)
MECHANISM	Construction	Sheet metal
	Mounting	Wall mount
	Dimensions (W x H x D)	349mm x 140.2mm x 290.9mm (13.74" x 5.52" x 11.45")
	Weight	7.7kg
	Color	no coating or black coating
STANDARDS AND CERTIFICATIONS	Shock	Operating: 3G Non-operating: 5G
	Vibration	Operating: Random 5~500Hz 0.5G Non-operating: Sine 10~500Hz 1.5G
	Package Drop	ISTA Project 1A
	Certification	CE, FCC Class A, RoHS

ORDERING INFORMATION

Model Name	Part Number	Description
WM343-CMS330-H420E	750-WM343A-000G	WM343-CMS, uATX System, Black, CMS330-H420E, 250W, F/G SYSTEM RoHS
WM343-CMS330-Q470E	750-WM343A-500G	WM343-CMS, uATX System, Black, CMS330-Q470E, 500W, F/G SYSTEM RoHS

OPTIONAL ITEMS

Optional Items	Part Number	Description
Wall Mount	761-WM3410-000G	ACCESSORY WALL MOUNT KITS WM34x Series RoHS
CPU Cooler	761-103004-000G	35W
CPU Cooler	761-103001-000G	95W-125W

PACKING LIST

1 WM343-CMS330 System Unit
1 CPU Cooler (65W)
4 HDD Screws
1 System Fan