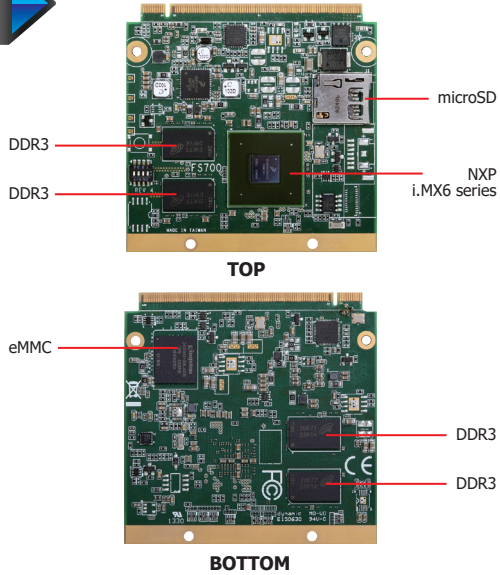


FS700

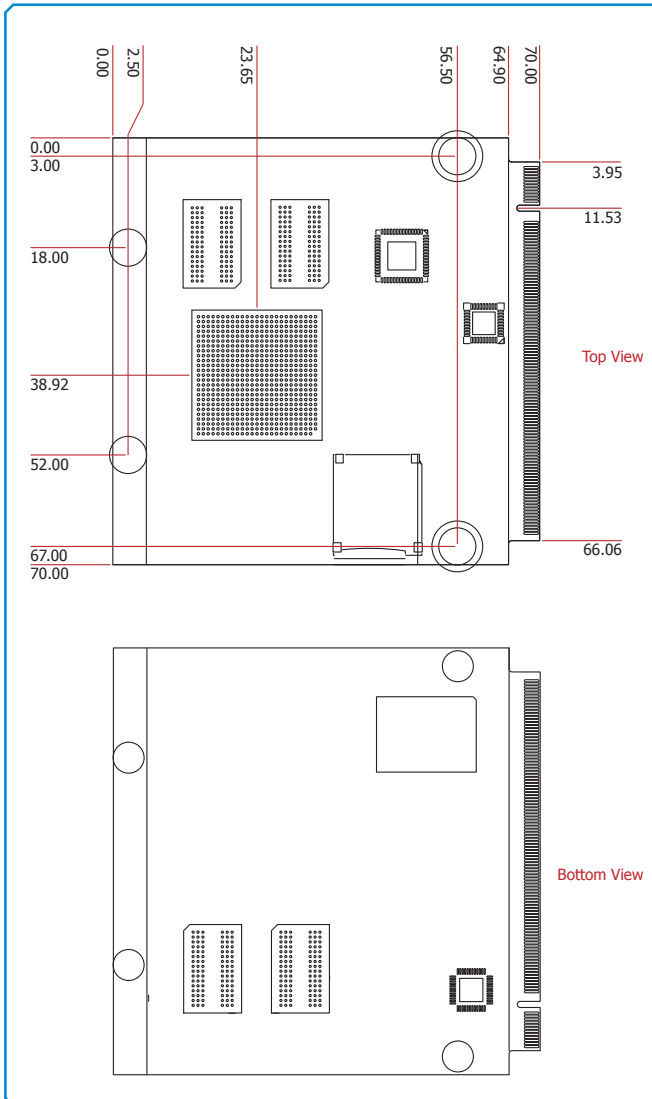


Features

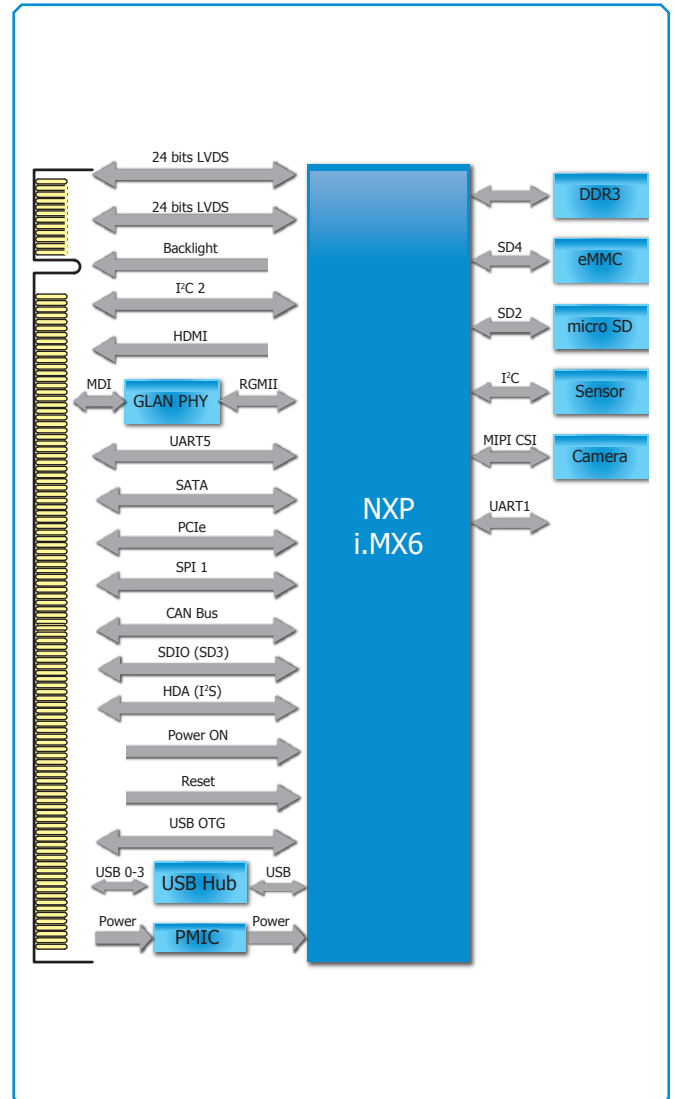
MEMORY	1GB/2GB DDR3 memory down
DISPLAY OUTPUTS	1 HDMI, 2 LVDS
EXPANSION	1 PCIe x1 2 I ² C, 1 CAN-bus 4 USB 2.0, 1 USB OTG 1 SATA 2.0 eMMC onboard, 1 microSD 1 SDIO 1 RS232
LAN	1 LAN
DIMENSIONS	Qseven R1.2 70mm x 70mm (2.76" x 2.76")



Mechanical Drawing



Block Diagram



FS700

► Specifications * Optional and is not supported in standard model. Please contact your sales representative for more information.

PROCESSOR

- NXP i.MX 6 series processors
 - i.MX6Q: i.MX 6Quad, up to 1.0GHz, Four Cortex-A9 cores
 - i.MX6D: i.MX 6Dual, up to 1.0GHz, Two Cortex-A9 cores
 - i.MX6L: i.MX 6DualLite, up to 1.0GHz, Two Cortex-A9 cores
 - i.MX6S: i.MX 6Solo, up to 1.0GHz, One Cortex-A9 core

SYSTEM MEMORY

- 1GB/2GB DDR3 memory down

ONBOARD GRAPHICS FEATURES

- Supports HDMI and LVDS interfaces
- HDMI: HDMI v1.4, resolution up to 1920x1200 @ 60Hz
- LVDS: 18/24-bit
 - One port up to 165 Mpixels/sec (e.g. 2560x1600 @ 60Hz)
 - Two ports up to 85 Mpixels/sec (e.g. WUXGA+ @ 60Hz) each
- Built-in Video, 2D graphics and 3D graphics processors
- Supports OpenCL, OpenVG 1.1 and 1080p/720p decoder/encoder

ONBOARD AUDIO FEATURES

- Supports I²S interface

ONBOARD LAN FEATURES

- One Atheros AR8033 Ethernet PHY
- Supports 10Mbps, 100Mbps and 1Gbps data transmission

SERIAL ATA (SATA) INTERFACE

- Supports 1 SATA 2.0 interface (Quad and Dual processors only)
 - SATA speed up to 3Gb/s (SATA 2.0)

eMMC

- Supports 4GB (standard), 8GB and 16GB eMMC onboard

microSD

- 1 microSD socket

WATCHDOG TIMER

- Software programmable

EXPANSION INTERFACES

- Supports 4 USB 2.0 interfaces
- Supports 1 USB OTG (Type B) interface
- Supports 1 PCIe x1 interface
- Supports 1 RS232 serial interface
- Supports 2 I²C interfaces
- Supports CAN-bus (Controller-Area Network) interface
- Supports SDIO interface

POWER

- Input: 5V

POWER CONSUMPTION

- Under 5W @ 5V

OS SUPPORT

- LTIB Linux 3.0.35
- Android 4.3 (Default Preloaded)
 - Quad, Dual and DualLite processors only
- Android 5.1

TEMPERATURE

- Operating:
 - : 0°C to 60°C - DualLite, Solo
 - : -20°C to 70°C - Quad, Dual
- Storage: -30°C to 80°C

HUMIDITY

- 5% to 90%

PCB

- Dimensions
 - Qseven form factor
 - 70mm (2.76") x 70mm (2.76")
- Compliance
 - Qseven specification revision 1.2

► Ordering Information

Model Name	Part Number	Description
FS700-M60-6Q2081	770-FS7002-1F0G	Freescale, NXP i.MX 6Quad, 2GB DDR3 memory onboard, 8GB eMMC, 1 SATA 2.0, -40 to 85C
FS700-M60-6D2041	770-FS7002-600G	Freescale, NXP i.MX 6Dual, 2GB DDR3 memory onboard, 4GB eMMC, 1 SATA 2.0, 0 to 60C
FS700-M60-6L2041	770-FS7002-4B0G	Freescale, NXP i.MX 6DualLite, 2GB DDR3 memory onboard, 4GB eMMC, 1 SATA 2.0, 0 to 60C
FS700-M60-6S1041	770-FS7002-500G	Freescale, NXP i.MX 6Solo, 1GB DDR3 memory onboard, 4GB eMMC, 1 SATA 2.0, 0 to 60C
FS700-M60-6L2081	770-FS7002-1B0G	Freescale, NXP i.MX 6DualLite, 2GB DDR3 memory onboard, 8GB eMMC, 1 SATA 2.0, 0 to 60C
FS700-M60-6D2041	770-FS7002-6F0G	Freescale, NXP i.MX 6Dual, 2GB DDR3 memory onboard, 4GB eMMC, 1 SATA 2.0, 0 to 60C
FS700-M60-6Q2081	770-FS7002-700G	Freescale, NXP i.MX 6Quad, 2GB DDR3 memory onboard, 8GB eMMC, 1 SATA 2.0, 0 to 60C
FS700-M60-6L2041	770-FS7002-K00G	Freescale, NXP i.MX 6DualLite, 2GB DDR3 memory onboard, 4GB eMMC, 1 SATA 2.0, 0 to 60C

**6S1041, 6L2041 (-20°C to 70°C) are supported upon request with MOQ requirement.
More configurations are available for ODM project. Please contact your sales representative for more information.*

► Packing List

- 1 FS700-M60 board

► Optional Items

- Q7A-551 carrier board kit: 770-Q7A551-000G
- WM-240 WiFi kit: 761-110092-000G
- UC20 Mini-PCIe UMTS/HSPA+ Module: 612-110040-600G
- 1 Heat spreader (for temperature -20°C to 70°C only): A71-010028-000G