

EC70A-KU

ULT

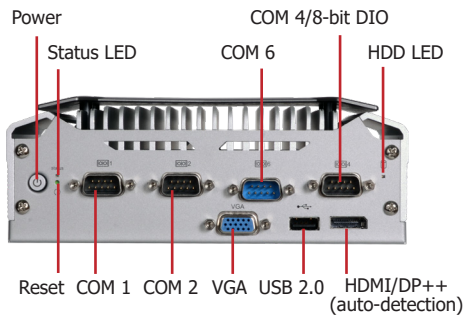


Features

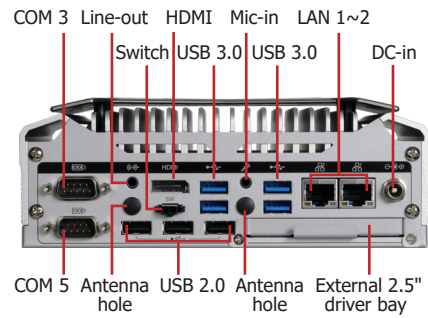
- Compact and Fanless Embedded System
- 4GB/8GB DDR4 memory onboard
- 1x 2.5" SATA 3.0 drive bay
- Supports 2 Mini PCIe for mSATA & wireless application
- Rich I/O ports: 2 Intel GbE, 6 COM, 4 USB 3.0, 4 USB 2.0



Panel

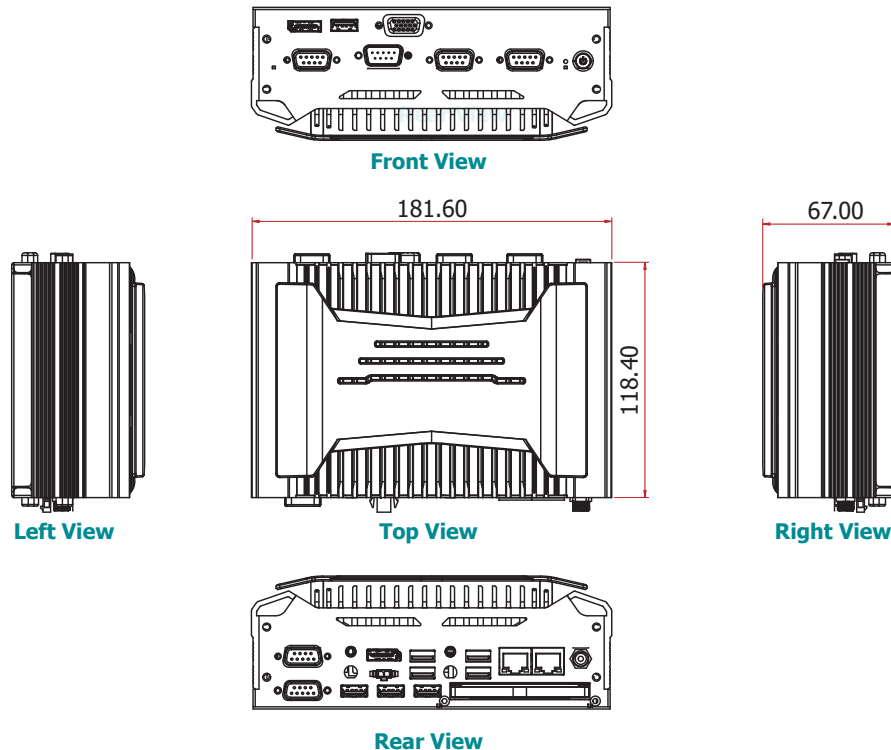


Front View



Rear View

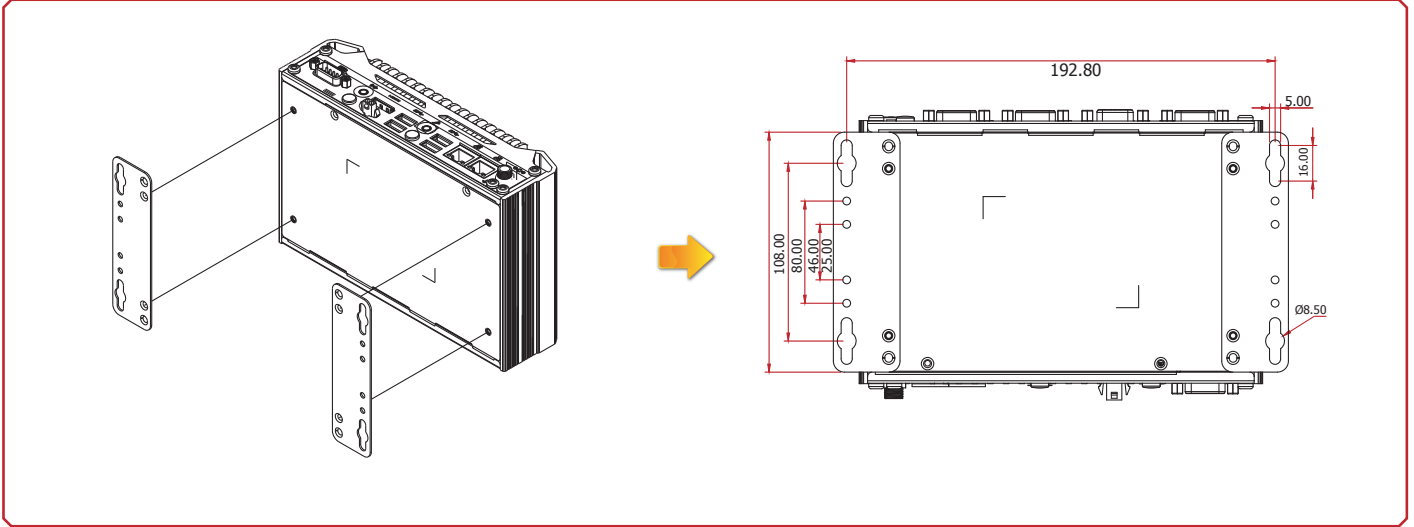
Dimensions



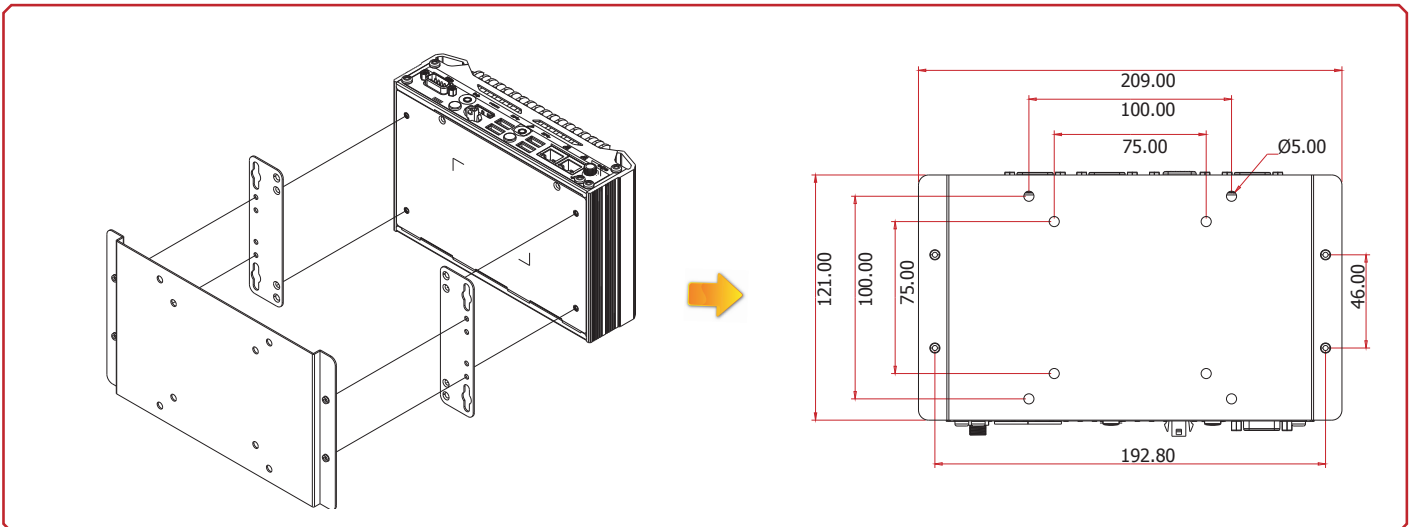
Specifications

| | | |
|-------------------------------------|-------------------------------|---|
| SYSTEM | Processor | 7th Generation Intel® Core™ Processors, BGA 1356 Intel® Core™ i7-7600U Processor, Dual Core, 4M Cache, 2.8GHz (3.9GHz), 15W Intel® Core™ i5-7300U Processor, Dual Core, 3M Cache, 2.6GHz (3.5GHz), 15W Intel® Core™ i3-7100U Processor, Dual Core, 3M Cache, 2.4GHz, 15W |
| | Memory | 4GB/8GB Memory Onboard Dual Channel DDR4 2133MHz |
| | BIOS | Insyde SPI 128Mbit |
| GRAPHICS | Controller | Intel® HD Graphics GT Series |
| | Feature | OpenGL 5.0, DirectX 12, OpenCL 2.1 HW Decode: AVC/H.264, MPEG2, VC1/WMV9, JPEG/MJPEG, HEVC/H265, VP8, VP9 HW Encode: AVC/H.264, MPEG2, JPEG, HEVC/H265, VP8, VP9 |
| | Display | 1 x HDMI VGA: resolution up to 2560x1600 @ 60Hz 1 x HDMI/DP++ (auto detection) DP++: resolution up to 4096x2304 @ 60Hz 1 x VGA HDMI: resolution up to 4096x2160 @ 24Hz or 2560x1600 @ 60Hz |
| | Triple Displays | VGA + HDMI + HDMI/DP++ |
| STORAGE | | 1 x 2.5" SATA 3.0 Drive Bay (for thickness 7mm only) 1 x mSATA mini 1 x M.2 2280 B Key (SATA) |
| EXPANSION | Interface | 1 x Full-size Mini PCIe (PCIe+USB2.0) 1 x Half-size Mini PCIe (PCIe+USB2.0+SATA, PCIe/SATA is selected by jumper setting, USB2.0+SATA by default) |
| AUDIO | Audio Codec | Realtek ALC888 5.1-channel |
| ETHERNET | Controller | 1 x Intel® I210AT PCIe (10/100/1000Mbps) 1 x Intel® I219V with iAMT11.0 PCIe (10/100/1000Mbps) (only Core i7/i5 supports iAMT) |
| LED | Indicators | 1 x Status LED 1 x HDD LED |
| FRONT I/O | Serial | 2 x RS-232/422/485 (DB-9, COM 1~2) 1 x RS-232 (DB-9, COM 4, support 8-bit DIO by jumper setting) 1 x RS-232 (DB-9, COM 6) |
| | USB | 1 x USB 2.0 |
| | Display | 1 x VGA 1 x HDMI/DP++ (auto detection) |
| | Buttons | 1 x Power Button 1 x Reset Button |
| REAR I/O | Ethernet | 2 x GbE (RJ-45) |
| | Serial | 2 x RS-232 (DB-9, COM 3 + COM 5) |
| | USB | 4 x USB 3.0 3 x USB 2.0 |
| | Display | 1 x HDMI |
| | Audio | 1 x Line-out 1 x Mic-in |
| | Antenna Hole | 2 x Wi-Fi Module Antenna Hole |
| WATCHDOG TIMER | Output & Interval | System Reset, Programmable via Software from 1 to 255 Seconds |
| POWER | Type | Wide Range 15~36V |
| | Connector | DC Jack |
| OS SUPPORT | | Windows 10 Windows 10 IoT Enterprise 64 Bit |
| MECHANISM | Construction | Aluminum + Metal Aluminum |
| | Mounting | Wall/VESA Mount |
| | Dimensions (W x H x D) | 181.6 x 67 x 118.4mm |
| | Weight | 1.65kg |
| ENVIRONMENT | Operating Temperature | -20 to 60°C (wide-temp SSD or mSATA-mini) |
| | Storage Temperature | -20 to 85°C |
| | Relative Humidity | 5 to 90% RH (non-condensing) |
| STANDARDS AND CERTIFICATIONS | Shock | Half sine wave 3G, 11ms, 3 shock per axis |
| | Vibration | IEC68-2-64 w/mSATA & SSD Condition:- Random: 3Grms @ 5~500 Hz, IEC60068-2-64 |
| | Certification | CE, FCC Class A, RoHS, UKCA |

► Wall Mounting



► VESA Mounting



► Ordering Information

| Model Name | Part Number | Description |
|------------|-----------------|--|
| EC70A-KU | 750-EC70A1-000G | Fanless, Intel Core i3-7100U, 2 HDMI, 1 VGA, 2 LAN, 6 COM, 4 USB 3.0, 4 USB 2.0, 1 Line out, 1 Mic in, 4GB DDR4 onboard, F/G SYSTEM RoHS |
| EC70A-KU | 750-EC70A1-100G | Fanless, Intel Core i3-7100U, 2 HDMI, 1 VGA, 2 LAN, 6 COM, 4 USB 3.0, 4 USB 2.0, 1 Line out, 1 Mic in, 8GB DDR4 onboard, F/G SYSTEM RoHS |
| EC70A-KU | 750-EC70A1-200G | Fanless, Intel Core i5-7300U, 2 HDMI, 1 VGA, 2 LAN, 6 COM, 4 USB 3.0, 4 USB 2.0, 1 Line out, 1 Mic in, 4GB DDR4 onboard, F/G SYSTEM RoHS |
| EC70A-KU | 750-EC70A1-300G | Fanless, Intel Core i5-7300U, 2 HDMI, 1 VGA, 2 LAN, 6 COM, 4 USB 3.0, 4 USB 2.0, 1 Line out, 1 Mic in, 8GB DDR4 onboard, F/G SYSTEM RoHS |
| EC70A-KU | 750-EC70A1-400G | Fanless, Intel Core i7-7600U, 2 HDMI, 1 VGA, 2 LAN, 6 COM, 4 USB 3.0, 4 USB 2.0, 1 Line out, 1 Mic in, 4GB DDR4 onboard, F/G SYSTEM RoHS |
| EC70A-KU | 750-EC70A1-500G | Fanless, Intel Core i7-7600U, 2 HDMI, 1 VGA, 2 LAN, 6 COM, 4 USB 3.0, 4 USB 2.0, 1 Line out, 1 Mic in, 8GB DDR4 onboard, F/G SYSTEM RoHS |

► Optional Items

| Optional Items | Part Number | Description |
|-----------------------|-----------------|--|
| Storage | 785-S251TBG | 2.5" SATA SSD, 1TB MLC, -40 to 85°C, RoHS |
| | 785-S25512G | 2.5" SATA SSD, 512GB MLC, -40 to 85°C, RoHS |
| | 785-S25256G | 2.5" SATA SSD, 256GB MLC, -40 to 85°C, RoHS |
| | 785-S25128G | 2.5" SATA SSD, 128GB MLC, -40 to 85°C, RoHS |
| | 785-S25064G | 2.5" SATA SSD, 64GB MLC, -40 to 85°C, RoHS |
| | 785-S25032G | 2.5" SATA SSD, 32GB MLC, -40 to 85°C, RoHS |
| | 785-MW128GMH | mSATA Card, 128GB MLC, -40 to 85°C, RoHS |
| | 785-MW64GMH | mSATA Card, 64GB MLC, -40 to 85°C, RoHS |
| | 785-MW32GMH | mSATA Card, 32GB MLC, -40 to 85°C, RoHS |
| Wi-Fi | 785-WIFIKT | Wi-Fi Kit, RoHS |
| Power Cord | 785-PWRD | Power Cord, Standards (USA/EUR/CH), 1.8m, RoHS |
| Power Adapter | 671-110003-100G | 120W, 19V/6.31A, Level 6, RoHS |
| | 671-106011-000G | 60W, 19V/3.15A, Level 6, RoHS |
| Wall Mount | 761-EC8000-000G | EC700/EC800/EC70A Wall Mount Kit, RoHS |
| VESA Mount | 761-EC7000-100G | EC700/EC70A VESA Mount Kit, RoHS |
| DIN Rail Mount | 761-EC70A0-000G | EC70A DIN Rail Mount Kit, RoHS |
| DC Cord | A81-004031-007G | UL 1185 (5.5x2.5x9.5mm) with Nut to stripped and tinned, length 1000mm |

► Packing List

| |
|--|
| • 1 EC70A-KU system unit |
| • Mounting screws for SATA drive |
| • Mounting screws for Mini PCIe module |
| • 1 Quick Installation Guide |