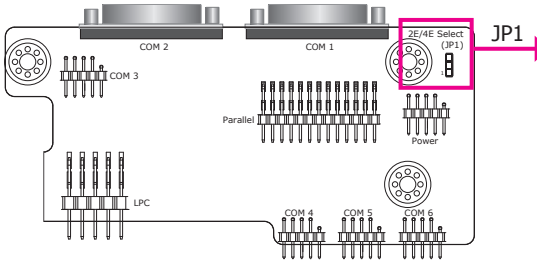


DFI[®]

EXT-6C1PR/4C1PR/2C1PR

COM/Parallel Extension Modules

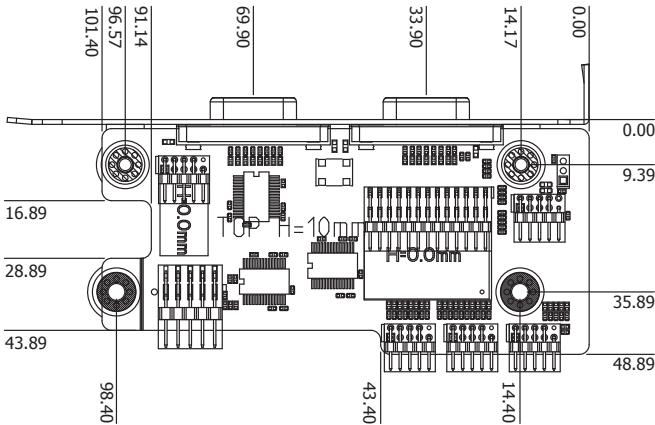
Board Layout



2E/4E Select	JP1
4E	1-2 On
2E (default)	2-3 On

EXT-6C1PR: 6 COM (COM 1 to COM 6)
 EXT-4C1PR: 4 COM (COM 1 to COM 4)
 EXT-2C1PR: 2 COM (COM 1 and COM 2)

Mechanical Drawing



Specifications

Rear Panel I/O Ports

- 2 DB-9 RS232 serial ports

I/O Connectors

- 4 RS232 connectors for 4 external serial ports (EXT-6C1PR)
- 2 RS232 connectors for 2 external serial ports (EXT-4C1PR)
- 1 Parallel port

Dimensions

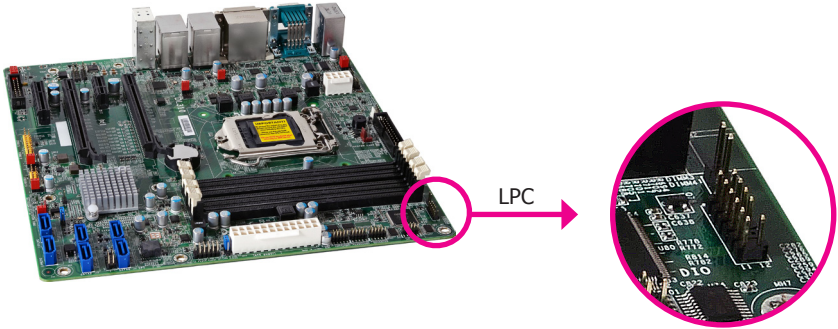
- 101.4mm x 48.89mm (4" x 1.92")

Connecting the Module to the Motherboard

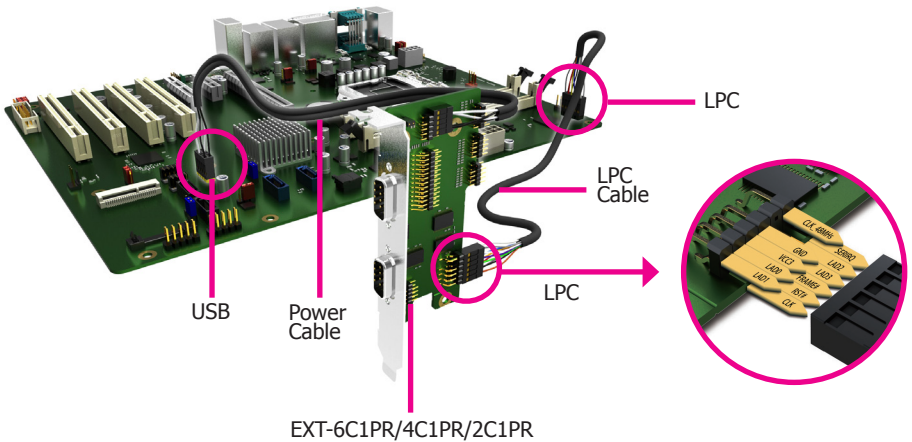


Note:

The system board used in the following illustrations may not resemble the actual one. These illustrations are for reference only.



the LPC connector on the motherboard.



the extension module connected to the motherboard via the LPC connector.