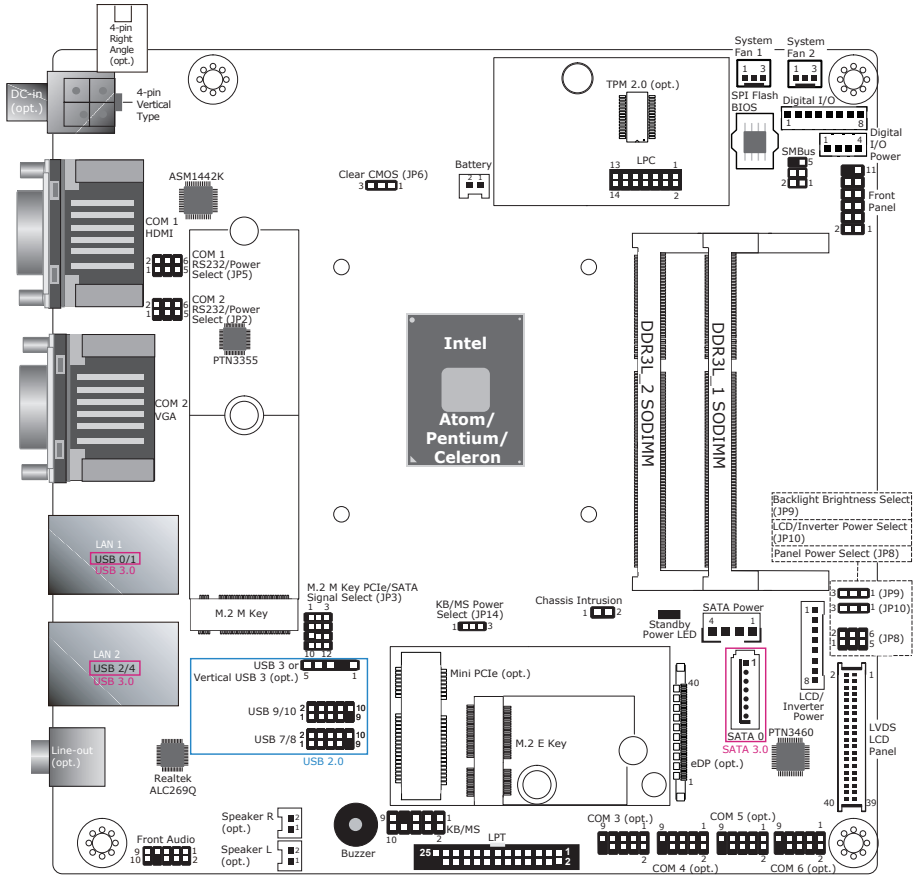


DFI AL102

Board Layout and Jumper Settings



KB/MS Power Select JP14

+5VSB (default)	1-2 On
+5V	2-3 On

Backlight Brightness Select JP9

+3.3V (default)	1-2 On
+5V	2-3 On

LCD/Inverter Power Select JP10

+12V (default)	1-2 On
+5V	2-3 On

COM Ports RS232/Power Select COM1 (JP5), COM2 (JP2)

RS232 (default)	1-3 (RI-), 2-4 (DCD-) On
RS232 with power	3-5 (+5V), 4-6 (+12V) On

M.2 M Key PCIe/SATA Signal Select JP3

PCIe	1-2, 4-5, 7-8, 10-11 On
SATA (default)	2-3, 5-6, 8-9, 11-12 On

**M.2 M Key PCIe/
SATA Signal Select****JP3**

PCIe	1-2, 4-5, 7-8, 10-11 On
SATA (default)	2-3, 5-6, 8-9, 11-12 On

Panel Power Select**JP8**

+12V	1-2 On
+5V	3-4 On
+3.3V (default)	5-6 On

Pin Assignments for I/O Connectors

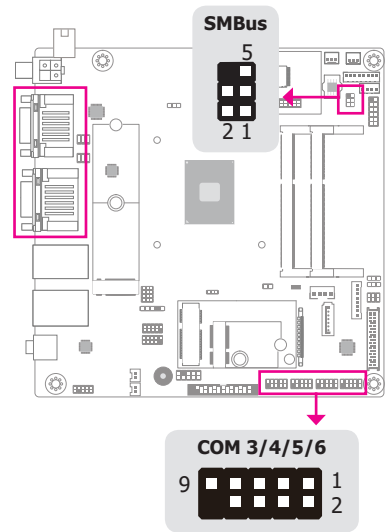
COM Ports (COM 1-6)

Pin	RS232	RS422 Full Duplex	RS485
1	DCD-	TXD-	DATA-
2	RD	TXD+	DATA+
3	TD	RXD+	NC
4	DTR-	RXD-	NC
5	GND	GND	GND
6	DSR-	NC	NC
7	RTS-	NC	NC
8	CTS-	NC	NC
9	RI-	NC	NC

Note: COM 1 & 2 are rear ports available for all three modes, i.e. RS232, RS422 Full Duplex, and RS485. COM 3 - 6 on the other hand are optional internal ports and only available for RS232.

SMBus

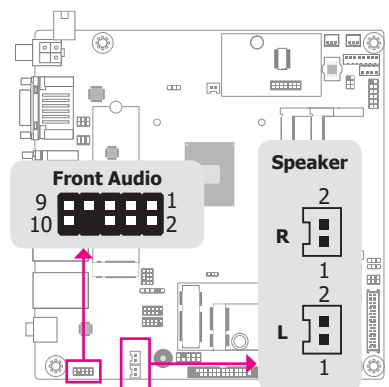
Pin	Assignment	Pin	Assignment
1	3V3DU	2	GND
3	SMB_CLK	4	SMB_DATA
5	SMB_ALERT	6	---

**Front Audio**

Pin	Assignment	Pin	Assignment
1	Mic2-L	2	GND
3	Mic2-R	4	N.C.
5	HP-Out-R	6	Mic2-JD
7	GND	8	---
9	HP-Out-L	10	HP-Out-JD

Speaker R/L (Optional)

Pin	Assignment	Pin	Assignment
1	SPK-R/L +	2	SPK-R/L -

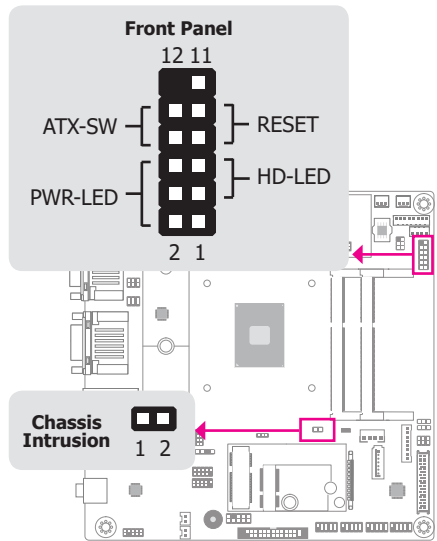


Chassis Intrusion

Pin	Function	Pin	Function
1	Signal	2	GND

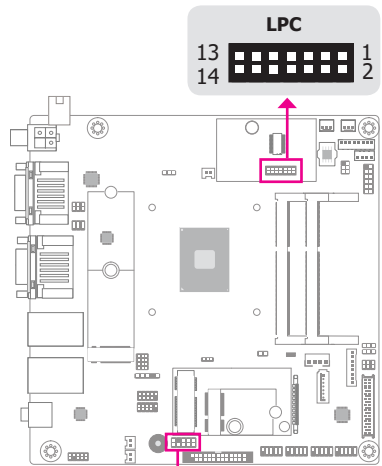
Front Panel

Pin	Assignment	Pin	Assignment
1	NC	2	LED Power
3	HDD Power	4	LED Power
5	Signal	6	Signal
7	GND	8	GND
9	Signal	10	Signal
11	NC	12	---



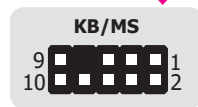
LPC

Pin	Assignment	Pin	Assignment
1	CLK	2	LAD1
3	RST#	4	LAD0
5	FRAME#	6	3V3
7	LAD3	8	GND
9	LAD2	10	---
11	INT_SERIRQ	12	GND
13	5VSB	14	5V



PS/2 Keyboard/Mouse (KB/MS)

Pin	Assignment	Pin	Assignment
1	KBCLK	2	MSCLK
3	KBDATA	4	MSDATA
5	GND	6	GND
7	---	8	GND
9	KBMS POWER	10	KBMS POWER



Note: The LPC connector can be mounted with an EXT RS232/RS485 card for 4 additional COM ports.

USB 2.0 Headers (for Internal I/O USB 3)

Pin	Assignment	Pin	Assignment
1	GND	2	---
3	Data+	4	Data-
5	VCC		

USB 2.0 Headers (for Internal I/O USB 7-10)

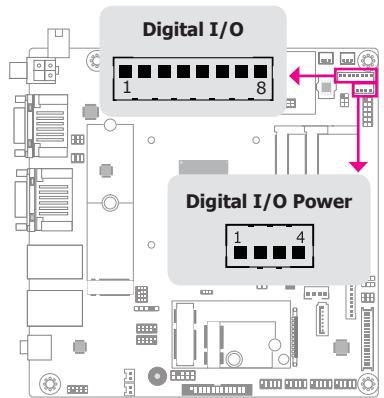
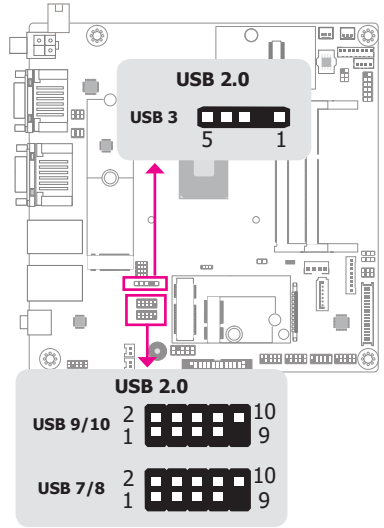
Pin	Assignment	Pin	Assignment
1	VCC	2	VCC
3	DATA-	4	DATA-
5	DATA+	6	DATA+
7	GND	8	GND
9	---	10	NC

Digital I/O (DIO)

Pin	Function	Pin	Function
1	DIO0	2	DIO1
3	DIO2	4	DIO3
5	DIO4	6	DIO5
7	DIO6	8	DIO7

Digital I/O Power

Pin	Assignment	Pin	Assignment
1	+12V	2	Ground
3	5VDU	4	+5V



DFI reserves the right to change the specifications at any time prior to the product's release. For the latest information about the product, please visit the document download page at go.dfi.com/AL102 or via the QR code to the right.

