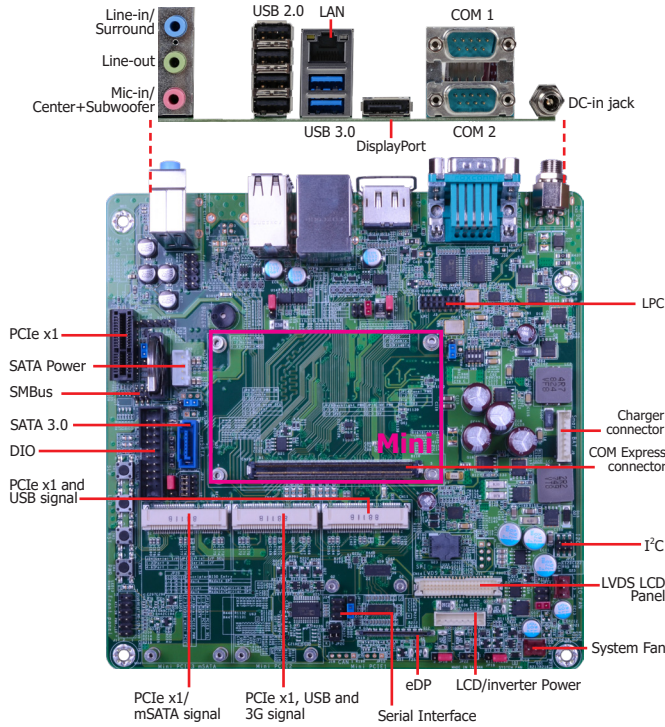




# COM Express Carrier Board

## COM100-B



### Features

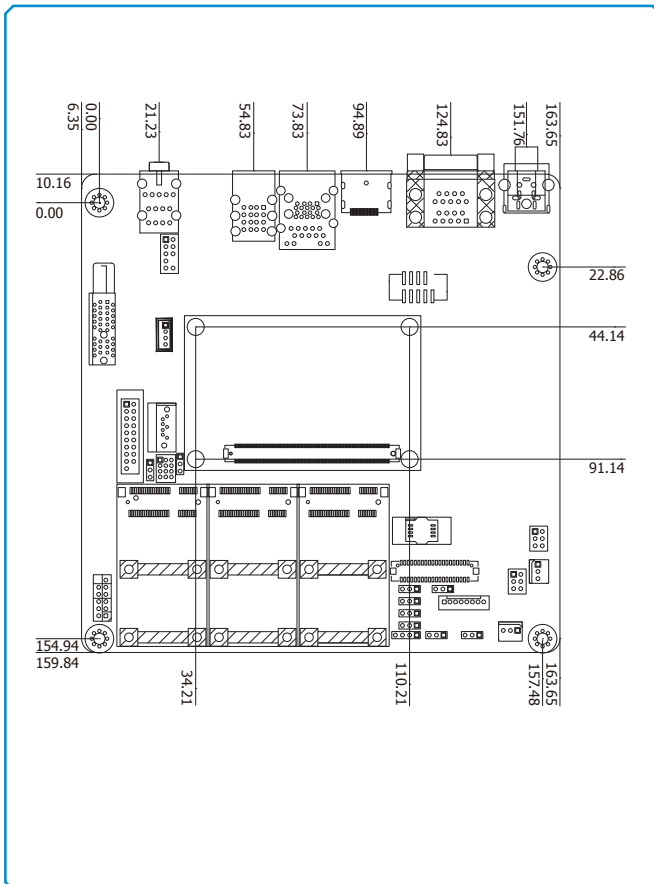
|                 |                                  |
|-----------------|----------------------------------|
| EXPANSION       | 1 PCIe x1<br>3 Mini PCIe         |
| DISPLAY OUTPUTS | 1 DisplayPort<br>1 LVDS<br>1 eDP |
| LAN             | 1 LAN                            |
| COM             | 2 COM                            |
| USB             | 6 USB: 2 USB 3.0, 4 USB 2.0      |
| STORAGE         | 1 SATA 3.0                       |
| DIO             | 8-bit DIO                        |
| DIMENSIONS      | 170mm x 170mm (6.7" x 6.7")      |



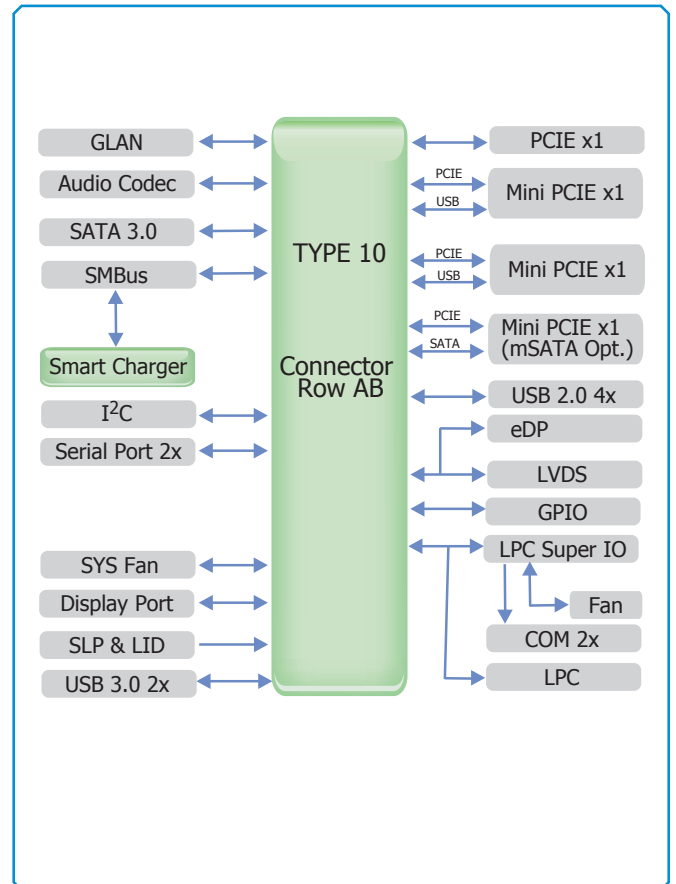
Supports Mini modules



### Mechanical Drawing



### Block Diagram



## COM100-B

## ► Specifications \* Optional and is not supported in standard model. Please contact your sales representative for more information.

### ONBOARD GRAPHICS FEATURES

- Display ports
  - 1 DisplayPort
  - 1 24-bit single channel LVDS

### ONBOARD AUDIO FEATURES

- Realtek ALC886 7.1-channel High Definition Audio
- Audio outputs: Mic-in/Center+Subwoofer, line-in/surround and line out
- S/PDIF audio interface

### ONBOARD USB FEATURES

- 2 USB 3.0 ports
- 4 USB 2.0 ports

### STORAGE

- 1 SATA 3.0 port with data transfer rate up to 6Gb/s

### DIGITAL I/O

- 8-bit Digital I/O connector
  - 4-bit GPI (General Purpose Input)
  - 4-bit GPO (General Purpose Output)

### REAR PANEL I/O PORTS

- 5V~19V DC-in jack
- 2 DB-9 RS232 serial ports
- 1 DisplayPort
- 1 RJ45 LAN port
- 2 USB 3.0 ports
- 4 USB 2.0 ports
- Line-in/Surround, Line out, Mic-in/Center+Subwoofer jacks

### I/O CONNECTORS

- 1 serial interface for 2 serial ports (TX/RX)
- 1 eDP connector
- 1 LVDS LCD panel connector
- 1 LCD/inverter power connector
- 1 8-bit Digital I/O connector
- 1 front audio connector for line-out and mic-in jacks
- 1 S/PDIF connector
- 1 SATA 3.0 port
- 1 SATA power connector
- 1 Smart battery charger connector
- 1 LPC connector
- 1 I<sup>2</sup>C connector
- 1 SMBus connector
- 1 front panel connector
- 2 fan connectors

## ► Ordering Information

| Model Name | P/N             | GbE | USB 3.0 | USB 2.0 | Power  | Thermal | Temp.     |
|------------|-----------------|-----|---------|---------|--------|---------|-----------|
| COM100-B   | 770-COM104-000G | 1   | 2       | 4       | ATX/AT | Active  | 0 to 60°C |

## ► Packing List

- 1 COM100-B board
- 1 SATA data cable
- 1 SATA power cable
- 1 I/O shield

### EXPANSION SLOTS

- 1 PCIe x1 slot (PCIe 2.0)
- 3 Mini PCIe slots (PCIe 2.0)
  - 1 slot supports PCIe and USB signals for 3G module
  - 1 slot supports PCIe and USB signals
  - 1 slot supports PCIe or mSATA signal
  - Supports half/full size Mini PCIe card
- 1 SIM card socket

### SUPPORTED COM EXPRESS MODULE

- Mini form factor

### DAMAGE FREE INTELLIGENCE

- Legacy Super I/O support\*
  - Monitors 5V/1.5V/12V/3.3V
  - Monitors SIO\_Fan

### ROM INTERFACE

- 1 SPI interface
  - Supports up to 64Mbit

### TEMPERATURE

- Operating: 0°C to 60°C
- Storage: -20°C to 85°C

### HUMIDITY

- 10% to 90%

### POWER OUTPUT

- 12V, 5VSB, VCC\_RTC (ATX mode)
- 12V, 5V, VCC\_RTC (AT mode)
- 12V, VCC\_RTC (AT mode)

### PCB

- Dimensions
  - Mini-ITX form factor
  - 170mm (6.7") x 170mm (6.7")
- Compliance
  - PICMG COM Express® R2.1, Type 10

### CERTIFICATION

- RoHS

## ► Optional Items

- SATA data cable
- Serial ATA power cable
- I/O shield
- Power adapter (120W, 19V, Level 6) : 671-110003-100G