

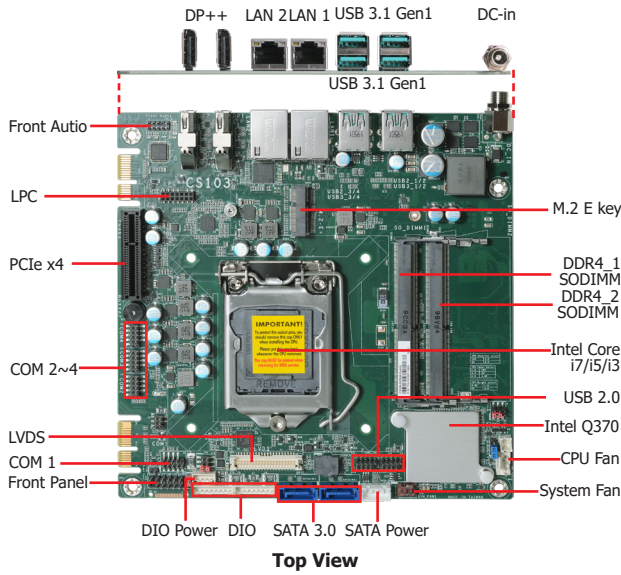


CS103-H310

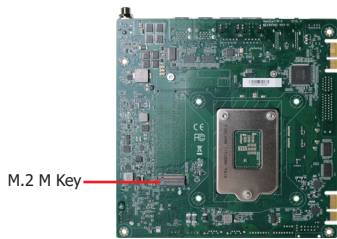
Desktop

Features

- 2 DDR4 2666MHz SODIMM up to 32GB
- Dual independent displays: LVDS + DP++, DP++ + DP++
- DP++ resolution supports up to 4096x2304 @ 60Hz
- Multiple Expansions: 1 PCIe x4 Gen 3, 1 M.2 2280 M Key, 1 M.2 2230 E Key
- Storage: 2 SATA 3.0
- Rich I/O: 2 Intel GbE, 4 COM, 4 USB 3.1 Gen 1, 4 USB 2.0



Top View



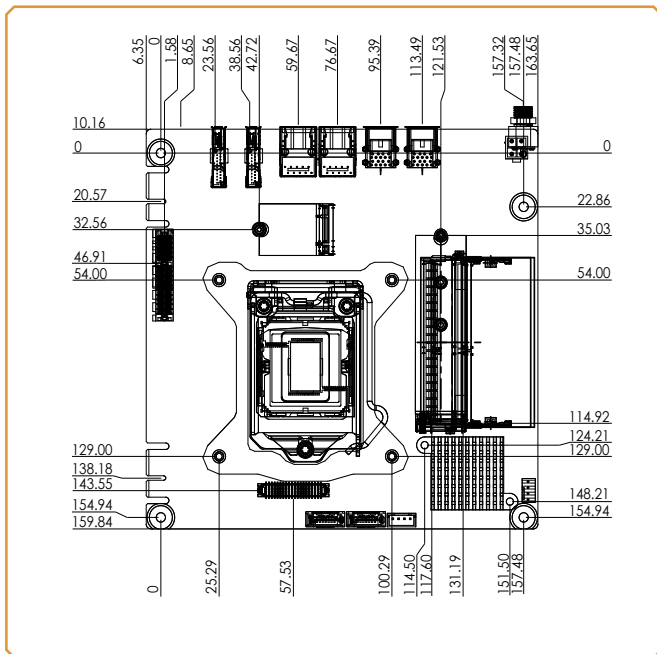
Bottom View

*The photos above refer to C103-Q370.

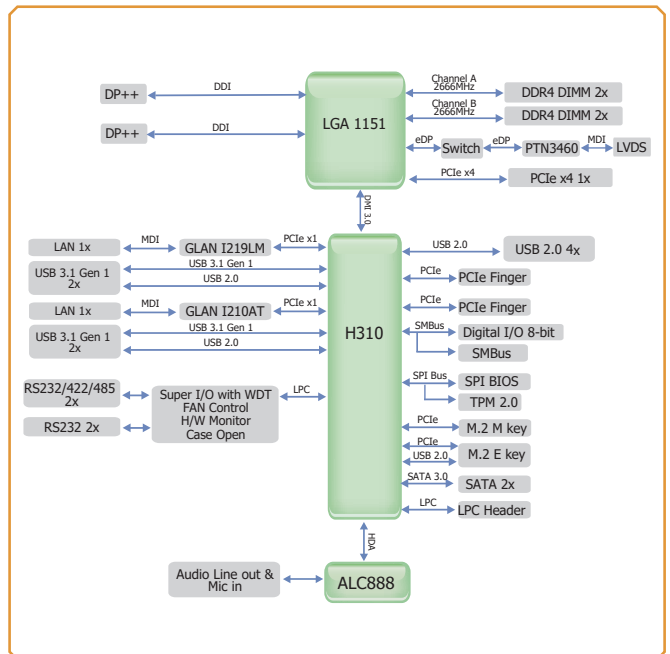
Ordering Information

Model Name	P/N	Memory	LVDS	DP++	GbE	RS-232	RS-232/422/485	USB 3.1 Gen 1	USB 2.0	SATA 3.0	TPM	Power	Temp.
CS103-H310	770-CS1032-000G	2 SODIMM	1	2	2	2	2	4	4	2	2.0	9-36V DC	-5 to 65°C

Mechanical Drawing



Block Diagram



Specifications

SYSTEM	Processor	9th Generation Intel® Core™ Processors, LGA 1151 Socket Intel® Core i7-9700TE Processor (Core 8; Max speed 3.8GHz; TDP 35W) Intel® Core i5-9500E Processor (Core 6; Max speed 4.2GHz; TDP 65W) Intel® Core i5-9500TE Processor (Core 6; Max speed 3.6GHz; TDP 35W) Intel® Core i3-9100E Processor (Core 4; Max speed 3.7GHz; TDP 65W) Intel® Core i3-9100TE Processor (Core 4; Max speed 3.2GHz; TDP 35W) 8th Generation Intel® Core™ Processors, LGA 1151 Socket Intel® Core™ i7-8700 Processor (Core 6; Max speed 4.6GHz; TDP 65W) Intel® Core™ i7-8700T Processor (Core 6; Max speed 4.0GHz; TDP 35W) Intel® Core™ i5-8500 Processor (Core 6; Max speed 4.1GHz; TDP 65W) Intel® Core™ i5-8500T Processor (Core 6; Max speed 3.5GHz; TDP 35W) Intel® Core™ i3-8100 Processor (Core 4; Max speed 3.6GHz; TDP 65W) Intel® Core™ i3-8100T Processor (Core 4; Max speed 3.1GHz; TDP 35W) Intel® Pentium G5400 Processor (Core 2; Max speed 3.7GHz; TDP 58W) Intel® Celeron G4900 Processor (Core 2; Max speed 3.1GHz; TDP 54W) Intel® Celeron G4900T Processor (Core 2; Max speed 2.9GHz; TDP 35W)	
	Memory	Two 260-pin SODIMM up to 32GB	Dual Channel DDR4 2666MHz
	Chipset	Intel® H310 Chipset	
	BIOS	AMI SPI 128Mbit	
	GRAPHICS	Controller	Intel® UHD Graphics 630 (only Pentium G5400, Celeron G4900 support 610)
	Feature	OpenGL 4.5, DirectX 12, OpenCL 2.1 HW Decode: AVC/H.264, MPEG2, VC1/WMV9, JPEG/MJPEG, HEVC/H265, VP8, VP9 HW Encode: AVC/H.264, MPEG2, JPEG, HEVC/H265, VP8, VP9	
	Display	1 x LVDS 2 x DP++	LVDS: resolution up to 1920x1200 @ 60Hz DP1.2: resolution up to 4096x2304 @ 60Hz
	Dual Displays	DP++ + LVDS, DP++ + DP++	
EXPANSION	Interface	1 x PCIe x4 (Gen 3) 2 x DFI proprietary extension bus for PCIe/PCI expansion 1 x M.2 2230 E Key (USB/PCIe) 1 x M.2 2280 M Key (PCIe Gen2 x1)	
AUDIO	Audio Codec	Realtek ALC888S-VD2-GR	
ETHERNET	Controller	1 x Intel® I219LM PHY (10/100/1000Mbps) 1 x Intel® I210AT PCIe (10/100/1000Mbps)	
REAR I/O	Ethernet	2 x GbE (RJ-45)	
	USB	4 x USB3.1 Gen1	
	Display	2 x DP++	
INTERNAL I/O	Serial	2 x RS-232/422/485 (2.0mm pitch) 2 x RS-232 (2.0mm pitch)	
	Display	1 x LVDS Connector	
	USB	4 x USB 2.0 (2.0mm pitch)	
	Audio	1 x Front Audio (2.0mm pitch)	
	SATA	2 x SATA 3.0 (up to 6Gb/s) 1 x SATA Power	
	DIO	1 x 8-bit DIO	
	SMBus	1 x SMBus	
	LPC	1 x LPC	
WATCHDOG TIMER	Output & Interval	System Reset, Programmable via Software from 1 to 255 Seconds	
SECURITY	TPM	dTPM 2.0	
POWER	Type	9-36V DC-in	
	Connector	DC-in Jack Right Angle Connector (4-pin) (available upon request) Straight Type Connector (4-pin) (available upon request)	
	RTC Battery	CR2032 Coin Cell	
	Consumption	Idle: i7-8700 65W: 19V @ 0.61A (11.59W) Max: i7-8700 65W: 19V @ 5.74A (109.06W)	
OS SUPPORT	Microsoft/Linux	Windows 10 IoT Enterprise 64-bit	Linux
ENVIRONMENT	Temperature	Operating: -5 to 65°C	Storage: -40 to 85°C
	Humidity	Operating: 5 to 90% RH	Storage: 5 to 90% RH
	MTBF	607,574 hrs @ 25°C; 361,791 hrs @ 45°C; 234,097 hrs @ 60°C; 173,560 hrs @ 70°C Calculation model: Telcordia Issue 4 Environment: GB, GC – Ground Benign, Controlled	
	MECHANICAL	Dimensions	Mini-ITX Form Factor 170mm (6.7") x 170mm (6.7")
	Height	PCB: 1.6mm Top Side: 20mm, Bottom Side: 3mm	
CERTIFICATION	CE, FCC, RoHS		

Packing List

• 1 CS103 motherboard	
• 1 Serial ATA data with power cable (Length: 300mm)	A81-002013-000G
• 1 COM port cable (Length: 250mm, 1 x COM ports)	A81-015011-001G

Optional Items

• USB 2.0 port cable (Length: 200mm)	A81-001032-016G
• COM port cable (Length: 250mm, 1 x COM ports)	A81-015011-001G
• Serial ATA data with power cable (Length: 300mm)	A81-002013-000G
• Serial ATA power cable	A81-002044-016G
• I/O shield	A49-CS1031-000G
• I/O shield (Thin Type)	A49-CS1031-100G
• Thermal solution (For 35W, Height: 37.3mm)	A71-103004-000G
• Thermal solution (For 65W, Height: 74.47mm)	A71-101158-000G