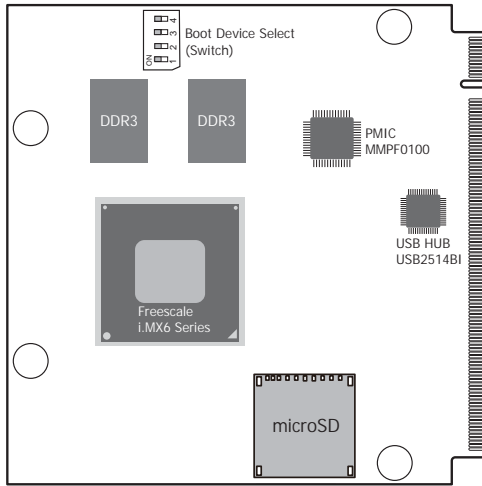
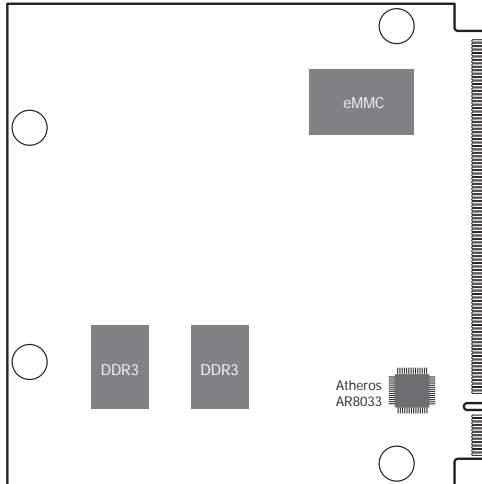


DFI®

FS700 Series



TOP



BOTTOM

Boot Device Select	Switch
eMMC	1 Off, 2 Off, 3 On, 4 On
uSD	1 Off, 2 Off, 3 On, 4 Off
SPI3 On Board SPI	1 On, 2 On, 3 Off, 4 On
SPI1 On Carried Board	1 On, 2 Off, 3 Off, 4 On