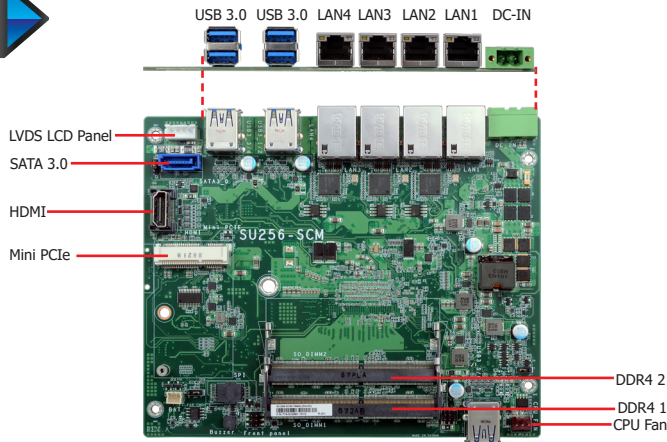


# SU256-SCM

ULT



## Features

- Dual Channel DDR4 2400MHz up to 8GB
- Single Display: HDMI resolution up to 4096x2304 @ 60Hz
- Multiple Expansion: 1 mini PCIe
- Storage: 1 mSATA, 1 SATA 3.0
- Rich I/O: 4 Intel GbE, 6 USB 3.0

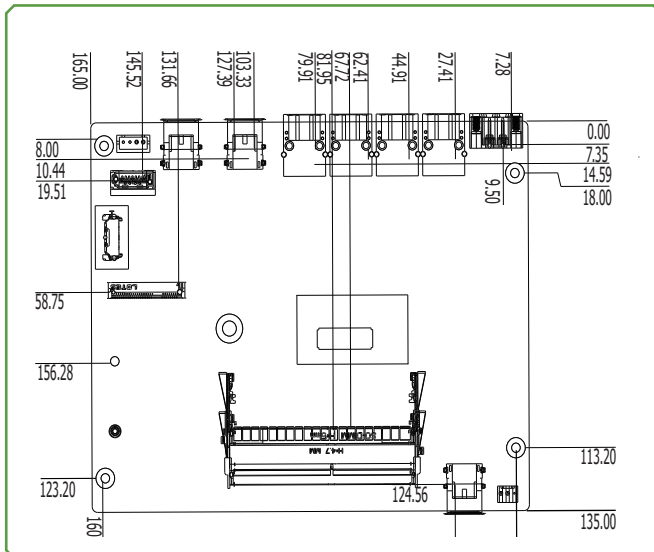
\* Populated by default



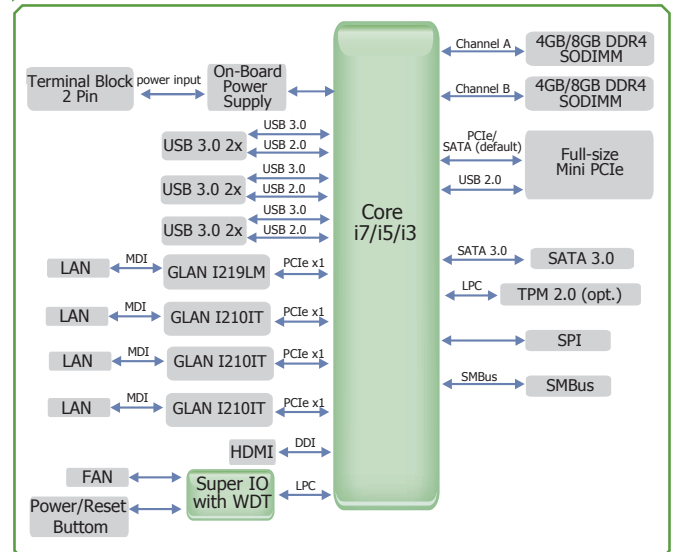
## Ordering Information

Model Name	P/N	Processor	TPM	HDMI	GbE	USB 3.0	Power	Thermal	Temp.
SU256-SCM	770-SU2561-000G	i7-7600U	2.0	1	4	6	15~36V DC	Fanless	-20 to 70°C

## Mechanical Drawing



## Block Diagram



## Specifications

<b>SYSTEM</b>	<b>Processor</b>	6th Generation Intel® Core™ Processors, BGA 1356 (Skylake-U*) Intel® Core™ i7-6600U Processor, Dual Core, 4M Cache, 2.6GHz (3.4GHz), 15W Intel® Core™ i5-6300U Processor, Dual Core, 3M Cache, 2.4GHz (3.0GHz), 15W Intel® Core™ i3-6100U Processor, Dual Core, 3M Cache, 2.3GHz, 15W Intel® Core™ i7-7600U Processor, Dual Core, 4M Cache, 2.8 GHz(3.9 GHz) ,15W	
	<b>Memory</b>	2 x 260-pin SO-DIMM up to 8GB (1R*8) Dual channel DDR4 2400MHz	
	<b>BIOS</b>	Insyde SPI 128Mbit	
<b>GRAPHICS</b>	<b>Controller</b>	Intel® HD Graphics GT Series	
	<b>Feature</b>	OpenGL 5.0, DirectX 12, OpenCL 2.1 HW Decode: AVC/H.264, MPEG2, VC1/WMV9, JPEG/MJPEG, HEVC/H265, VP8, VP9 HW Encode: AVC/H.264, MPEG2, JPEG, HEVC/H265, VP8, VP9	
	<b>Display</b>	1 x HDMI	
<b>EXPANSION</b>	<b>Interface</b>	1 x Full-size Mini PCIe	
	<b>Storage</b>	1 x Flash Module mSATA SATA 3.0	
<b>ETHERNET</b>	<b>Controller</b>	3 x Intel® I210IT PCIe (10/100/1000Mbps) 1 x Intel® I219LM PCIe with iAMT9.5 (10/100/1000Mbps) (only Core i7/i5 supports iAMT)	
<b>REAR I/O</b>	<b>Ethernet</b>	4 x GbE (RJ-45)	
	<b>USB</b>	4 x USB 3.0	
<b>FRONT I/O</b>	<b>USB</b>	2 x USB 3.0	
<b>INTERNAL I/O</b>	<b>SATA</b>	1 x SATA 3.0	
	<b>LPC</b>	1 x LPC	
	<b>SMBus</b>	1 x SMBus	
	<b>Display</b>	1 x HDMI	
<b>WATCHDOG TIMER</b>	<b>Output &amp; Interval</b>	System Reset, Programmable via Software from 1 to 255 Seconds	
<b>SECURITY</b>	<b>TPM</b>	TPM 2.0 (option)	
<b>POWER</b>	<b>Type</b>	Wide Range 15~36V	
	<b>Connector</b>	Terminal Block	
	<b>Consumption</b>	Typical: 6600U:19V @ 0.33A (6.27Watt) Max: 6600U:19V @ 2.01A (38.19Watt)	
	<b>RTC Battery</b>	CR2032 Coin Cell	
<b>OS SUPPORT</b>	<b>Microsoft</b>	Windows 7 (32/64-bit)	WES 7
		Windows 8.1 (64-bit)	WE8S
		Windows 10	CentOS 7 (1804)
<b>ENVIRONMENT</b>	<b>Temperature</b>	Operating: -20 to 70°C	Storage: -40 to 85°C
	<b>Humidity</b>	Operating: 5 to 90% RH Storage: 5 to 90% RH	
	<b>MTBF</b>	273,084 hrs @ 25°C; 234,185 hrs @ 45°C ; 196,965 hrs @ 60°C ; 170,277 hrs @ 70°C Calculation model: Telcordia Issue 4 Environment: GB, GC - Ground Benign, Controlled	
	<b>MECHANICAL</b>	<b>Dimensions</b>	4" SBC Form Factor
	<b>Height</b>	PCB: 1.6mm	Top Side: 16.5mm, Bottom Side: 4mm
<b>Certification</b>	<b>Certification</b>	CE, FCC, RoHS	

## Packing List

• 1 SU256-SCM board	
• 1 Heatsink (28.4mm)	A71-008158-000G