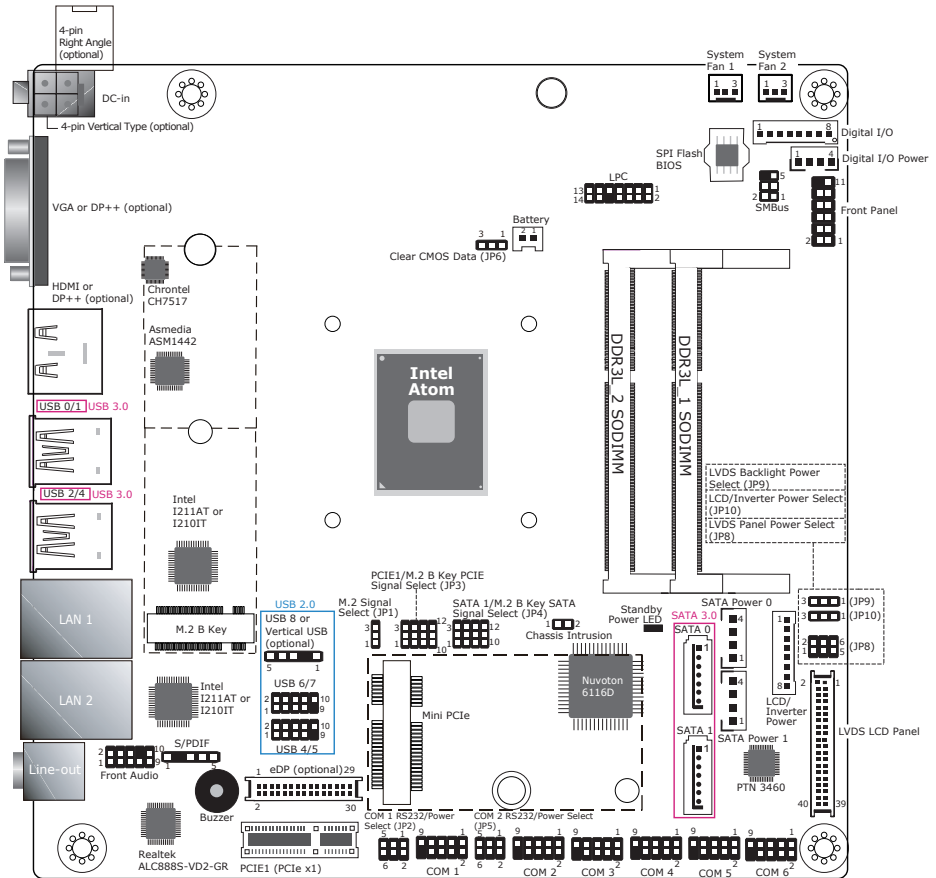


Board Layout (Top View) and Jumper Settings



Note:

1. The right angle and vertical types of power connectors are optional.
2. AL171: Single 12V ±10% DC
3. AL173: Wide Range 15~36V

M.2 M Signal Select	JP1
SATA (default)	1-2 On
PCIe	2-3 On

Clear CMOS Data	JP6
Normal (default)	1-2 On
Clear CMOS Data	2-3 On

LVDS Panel Power Select	JP8
+12V	1-2 On
+5V	3-4 On
+3.3V (default)	5-6 On

LVDS Backlight Power Select	JP9
+3.3V (default)	1-2 On
+5V	2-3 On

LCD/Inverter Power Select	JP10
+12V (default)	1-2 On
+5V	2-3 On

PCIE1/M.2 B Key PCIE Signal Select	JP3
PCIE1 (default)	1-2, 4-5, 7-8, 10-11 On
M.2 B key PCIE	2-3, 5-6, 8-9, 11-12 On

SATA 1/M.2 Key SATA Signal Select	JP4
SATA1 (default)	1-2, 4-5, 7-8, 10-11 On
M.2 B Key SATA	2-3, 5-6, 8-9, 11-12 On

COM Ports RS232/Power Select	COM1 (JP5), COM2 (JP2)
RS232 (default)	1-3 (RI-), 2-4 (DCD-) On
RS232 with power	3-5 (+5V), 4-6 (+12V) On

Pin Assignment

Chassis Intrusion

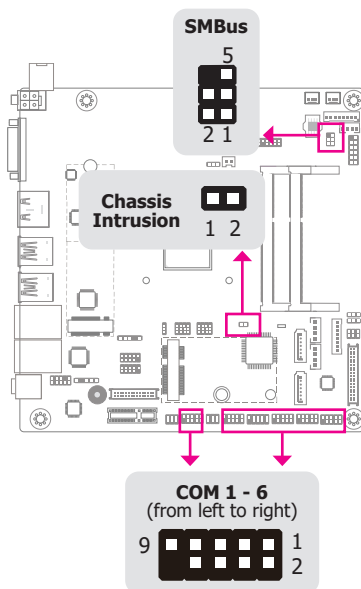
Pin	Function	Pin	Function
1	Signal	2	GND

COM Ports (COM 1-6)

Pin	RS232	RS422 Full Duplex	RS485
1	DCD-	RXD+	DATA+
2	RXD	RXD-	DATA-
3	TXD	TXD+	NC
4	DTR-	TXD-	NC
5	GND	GND	GND
6	DSR-	NC	NC
7	RTS-	NC	NC
8	CTS-	NC	NC
9	RI-	NC	NC

SMBus

Pin	Assignment	Pin	Assignment
1	3V3SB	2	GND
3	SMBus_Clock	4	SMBus_DATA
5	SMBus_Alert	6	---



Note: All three modes, i.e. RS232, RS422 Full Duplex, and RS485 are available for COM 1 & 2. Only RS232 is available for COM 3 - 6.

Front Panel

Pin	Assignment	Pin	Assignment
1	N.C.	2	LED Power
3	HDD Power	4	LED Power
5	Signal	6	Signal
7	Ground	8	Ground
9	Signal	10	Signal
11	N.C.	12	--

LPC

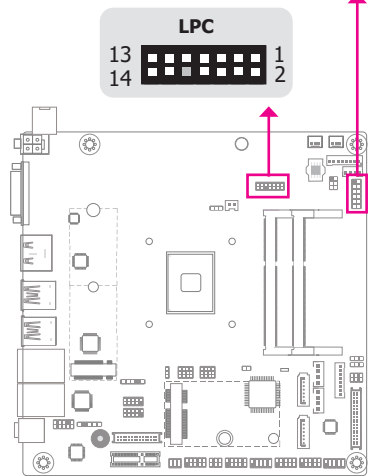
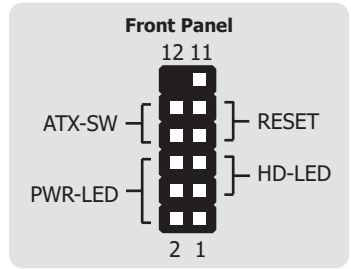
Pin	Assignment	Pin	Assignment
1	L_CLK	2	L_LAD1
3	L_RST#	4	L_LAD0
5	L_FRAME#	6	3.3V
7	L_LAD3	8	GND
9	L_LAD2	10	---
11	INT_SERIRQ	12	GND
13	5VSB	14	5V

Digital I/O (DIO)

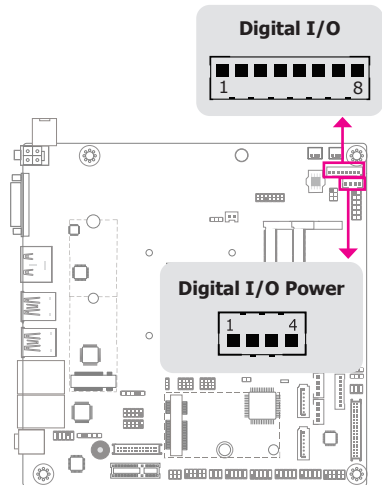
Pin	Function	Pin	Function
1	DIO0	2	DIO1
3	DIO2	4	DIO3
5	DIO4	6	DIO5
7	DIO6	8	DIO7

Digital I/O Power

Pin	Assignment	Pin	Assignment
1	+12V	2	Ground
3	5VDU	4	+5V



Note: The LPC connector can be mounted with an EXT RS232/RS485 card for 4 additional COM ports.



USB 2.0 Headers (for Internal I/O USB 8)

Pin	Assignment	Pin	Assignment
1	GND	2	---
3	Data+	4	Data-
5	VCC		

USB 2.0 Headers (for Internal I/O USB 4-7)

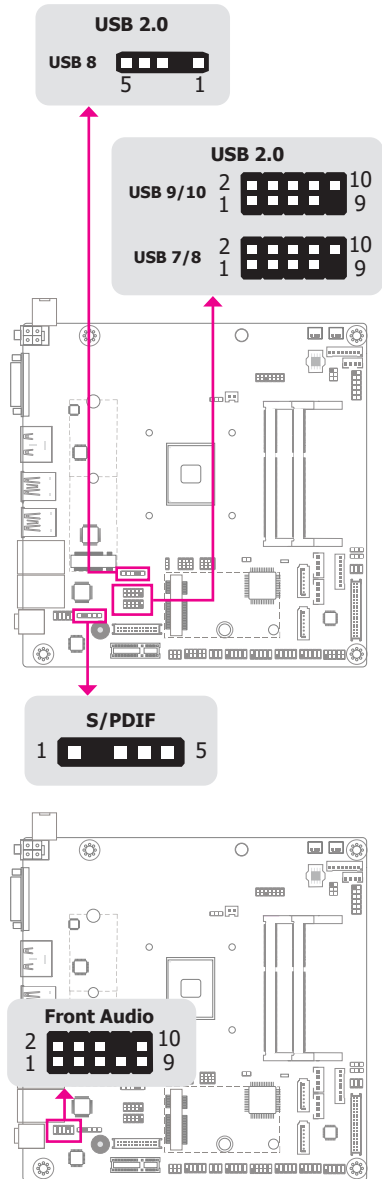
Pin	Assignment	Pin	Assignment
1	VCC	2	VCC
3	DATA-	4	DATA-
5	DATA+	6	DATA+
7	GND	8	GND
9	---	10	NC

S/PDIF

Pin	Assignment	Pin	Assignment
1	+5V	2	---
3	SPOUT	4	GND
5	SPIN		

Front Audio

Pin	Assignment	Pin	Assignment
1	Mic-L	2	GND
3	Mic-R	4	N.C.
5	Line-R	6	Mic-JD
7	GND	8	---
9	Line-L	10	Line-JD



DFI reserves the right to change the specifications at any time prior to the product's release. This QR may be based on editions that do not resemble your actual products. For more documentation and drivers, please visit the download page at go.dfi.com/AL171_AL173, or via the QR code to the right.

