

# VC70B-KU

ULT

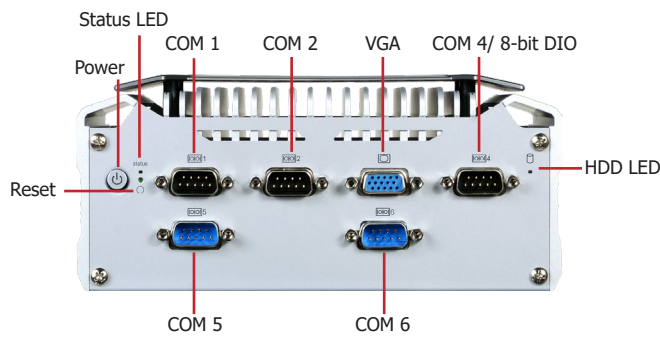


### Features

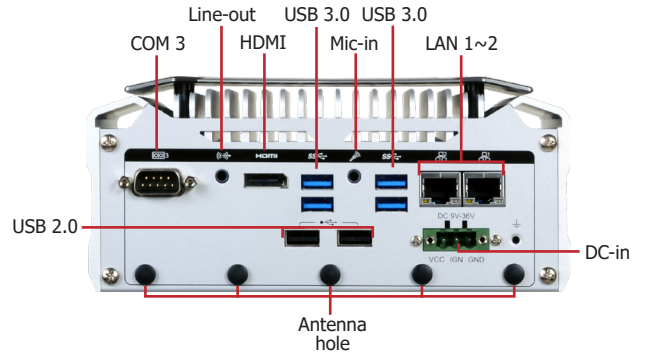
- Compact and Fanless In-Vehicle System
- 4GB/8GB DDR4 memory onboard
- 1x 2.5" SATA 3.0 Drive Bay
- Supports 2 Mini PCIe for Extension Modules
- Rich I/O ports: 2 Intel GbE, 6 COM, 4 USB 3.0, 2 USB 2.0



### Panel

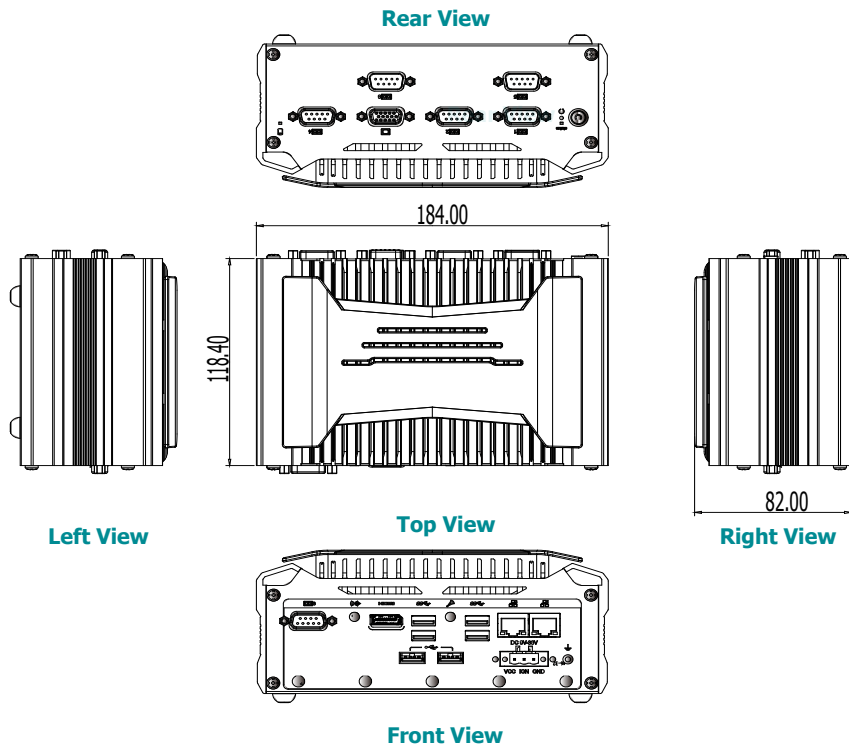


Front View



Rear View

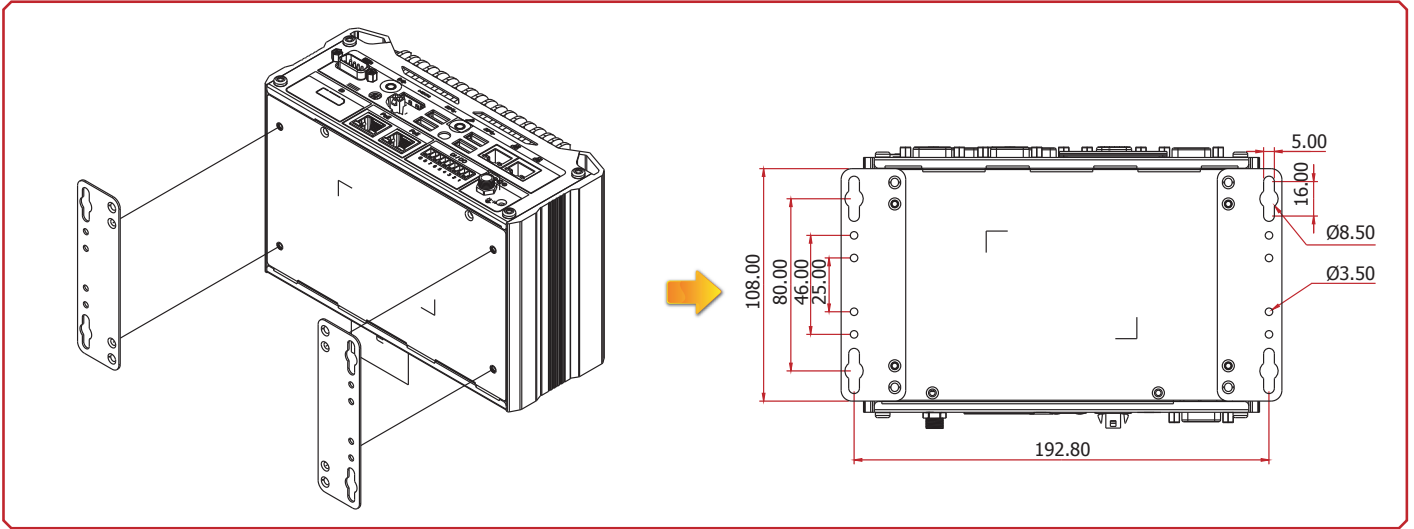
### Dimensions



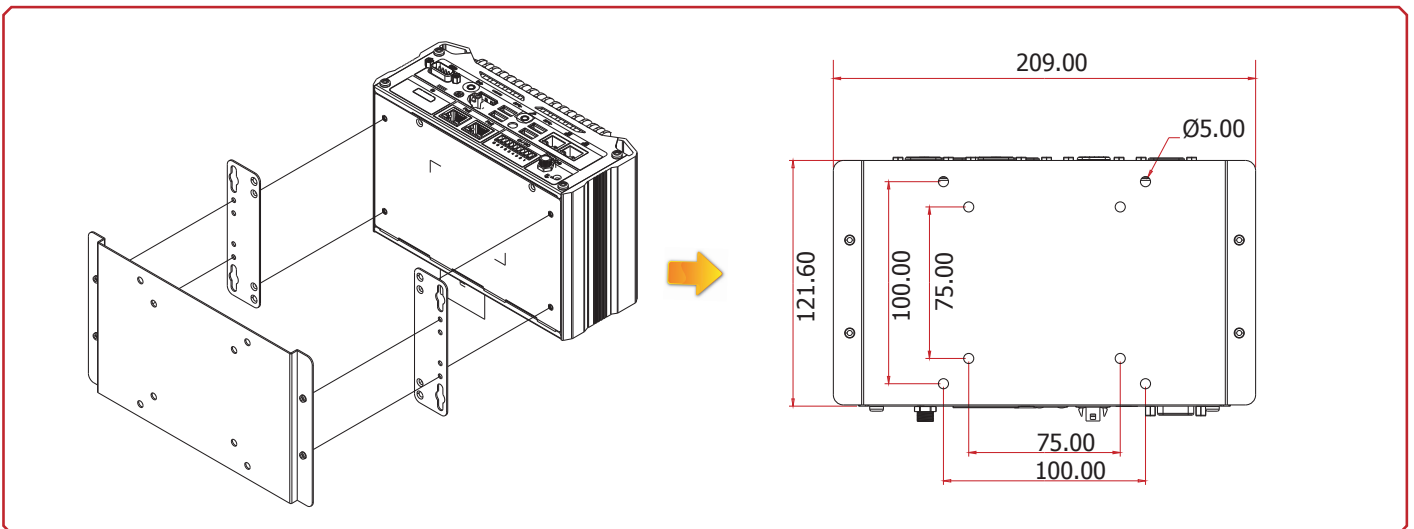
## ► Specifications

|                                     |                               |   |   |
|-------------------------------------|-------------------------------|---|---|
| <b>SYSTEM</b>                       | <b>Processor</b>              | 7th Generation Intel® Core™ Processors, FCBGA 1356<br>Intel® Core™ i7-7600U Processor, Dual Core, 4M Cache, 2.8GHz, 15W<br>Intel® Core™ i5-7300U Processor, Dual Core, 3M Cache, 2.6GHz, 15W<br>Intel® Core™ i3-7100U Processor, Dual Core, 3M Cache, 2.4GHz, 15W |   |
|                                     | <b>Memory</b>                 | 4GB/8GB Memory Onboard Dual Channel DDR4 2133MHz  |   |
|                                     | <b>BIOS</b>                   | Insyde SPI 128Mbit  |   |
|                                     | <b>GRAPHICS</b>               | <b>Controller</b> Intel® HD Graphics GT Series  |   |
| <b>GRAPHICS</b>                     | <b>Display</b>                | 1 x VGA VGA: resolution up to 1920x1200 @ 60Hz<br>1 x HDMI HDMI: resolution up to 4096x2160 @ 24Hz  |   |
|                                     | <b>Dual Displays</b>          | VGA + HDMI  |   |
|                                     | <b>STORAGE</b>                | 1 x 2.5" SATA 3.0 Drive Bay   |   |
| <b>EXPANSION</b>                    | <b>Interface</b>              | 1 x Full-size Mini PCIe (PCIe+USB)<br>1 x Half-size Mini PCIe (PCIe+USB+SATA)   |   |
| <b>AUDIO</b>                        | <b>Audio Codec</b>            | Realtek ALC888 5.1-channel  |   |
| <b>ETHERNET</b>                     | <b>Controller</b>             | 1 x Intel® I210IT (10/100/1000Mbps)<br>1 x Intel® I219LM (10/100/1000Mbps)  |   |
| <b>LED</b>                          | <b>Indicators</b>             | 1 x Status LED<br>1 x HDD LED   |   |
| <b>FRONT I/O</b>                    | <b>Serial</b>                 | 2 x RS-232/422/485 (DB-9, COM 1~2)<br>3 x RS-232 (DB-9, COM 4~6, COM 4 supports 8-bit DIO or CAN-Bus )  |   |
|                                     | <b>Display</b>                | 1 x VGA   |   |
|                                     | <b>Buttons</b>                | 1 x Power Button<br>1 x Reset Button  |   |
|                                     | <b>REAR I/O</b>               | <b>Ethernet</b>   | 2 x GbE (RJ-45)   |
| <b>REAR I/O</b>                     | <b>Serial</b>                 | 1 x RS-232 (DB-9, COM 3)  |   |
|                                     | <b>USB</b>                    | 4 x USB 3.0 (type A)<br>2 x USB 2.0 (type A)  |   |
|                                     | <b>Display</b>                | 1 x HDMI  |   |
|                                     | <b>Audio</b>                  | 1 x Line-out<br>1 x Mic-in  |   |
|                                     | <b>Wi-Fi Antenna</b>          | 5 x Wi-Fi Module Antenna Hole   |   |
|                                     | <b>WATCHDOG TIMER</b>         | <b>Output &amp; Interval</b>  | System Reset, Programmable via Software from 1 to 255 Seconds |
|                                     | <b>POWER</b>                  | <b>Type</b>   | 9~36V DC-in power with ignition delay on/off                  |
| <b>Connector</b>                    |                               | DC Jack   |   |
| <b>OS SUPPORT</b>                   |                               | Windows 10 (64-bit)<br>Windows 10 IoT Enterprise (64-bit)<br>Linux  |   |
| <b>MECHANISM</b>                    | <b>Construction</b>           | Aluminum + Sheet Metal  |   |
|                                     | <b>Mounting</b>               | Wall/VESA/DIN Rail Mount  |   |
|                                     | <b>Dimensions (W x H x D)</b> | 184mm x 82mm x 118.4mm  |   |
|                                     | <b>Weight</b>                 | 1.6 Kg  |   |
| <b>ENVIRONMENT</b>                  | <b>Operating Temperature</b>  | -20 to 60°C   |   |
|                                     | <b>Storage Temperature</b>    | -20 to 85°C   |   |
|                                     | <b>Relative Humidity</b>      | 5 to 95% RH (non-condensing)  |   |
| <b>STANDARDS AND CERTIFICATIONS</b> | <b>Shock</b>                  | MIL-STD 810G 516.6<br>Operating: 10G, 11ms<br>Non-Operating: 40G, 11ms  |   |
|                                     | <b>Vibration</b>              | MIL-STD 810G 514.6C-3   |   |
|                                     | <b>Certification</b>          | CE, FCC Class A, RoHS, E-Mark (E13)   |   |

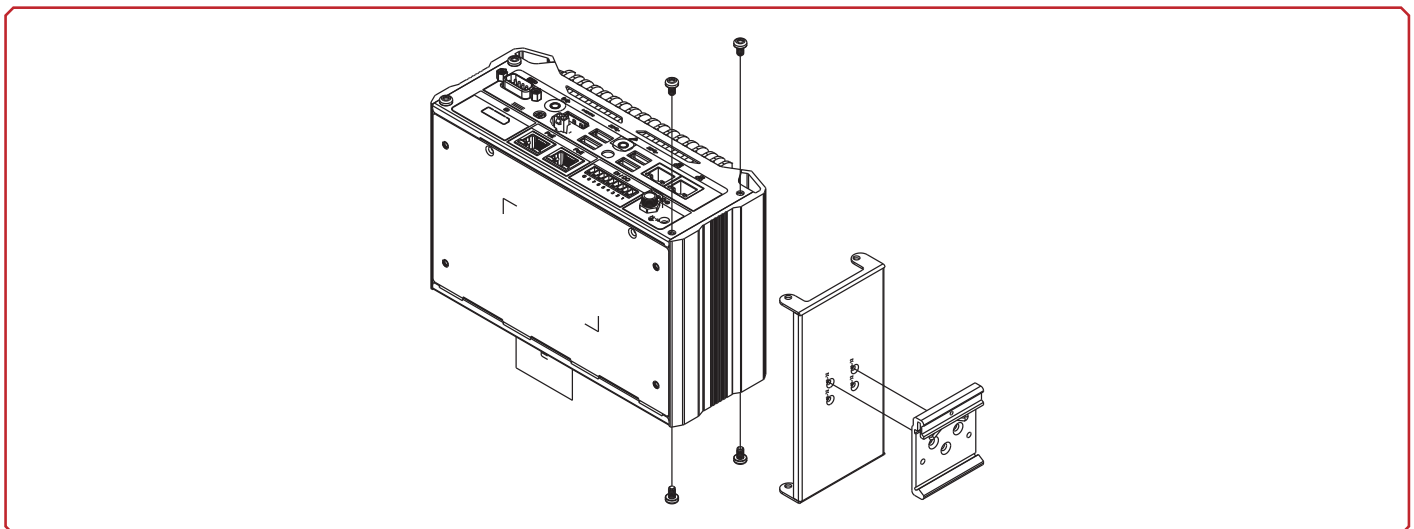
► Wall Mounting



► VESA Mounting



► DIN Rail Mounting



### ► Ordering Information

| Model Name              | Part Number     | Description   |
|-------------------------|-----------------|---|
| <b>VC70B-KU6862-714</b> | 750-VC70B0-000G | Intel Core i3-7100U, 1 HDMI, 1 VGA, 2 LAN, 6 COM, 6 USB, 4GB DDR4 onboard |
| <b>VC70B-KU6862-738</b> | 750-VC70B0-100G | Intel Core i5-7300U, 1 HDMI, 1 VGA, 2 LAN, 6 COM, 6 USB, 8GB DDR4 onboard |
| <b>VC70B-KU6862-768</b> | 750-VC70B0-200G | Intel Core i7-7600U, 1 HDMI, 1 VGA, 2 LAN, 6 COM, 6 USB, 8GB DDR4 onboard |

### ► Optional Items

| Optional Items        | Part Number     | Description                            |
|-----------------------|-----------------|--|
| <b>SSD</b>            | 635-610002-110G | 2.5" SATA SSD, 1TB MLC, RoHS           |
|                       | 635-605122-110G | 2.5" SATA SSD, 512G MLC, RoHS          |
|                       | 635-602562-120G | 2.5" SATA SSD, 256G MLC, RoHS          |
|                       | 635-601282-190G | 2.5" SATA SSD, 128G MLC, RoHS          |
|                       | 635-600642-150G | 2.5" SATA SSD, 64G MLC, RoHS           |
| <b>mSATA</b>          | 638-712803-100G | mSATA Card, 128GB MLC, RoHS            |
|                       | 638-706405-110G | mSATA Card, 64GB MLC, RoHS             |
|                       | 638-703206-100G | mSATA Card, 32GB MLC, RoHS             |
| <b>Wi-Fi</b>          | 761-110091-000G | Wi-Fi Kit, RoHS                        |
| <b>3G+GPS</b>         | 761-110040-600G | 3G + GPS Kit, RoHS                     |
| <b>Power Adapter</b>  | 671-112005-100G | 120W, 24V/5A for test/validation only  |
| <b>Wall Mount</b>     | 761-EC8000-000G | EC700/800/70A/80A Wall Mount Kit, RoHS |
| <b>VESA Mount</b>     | 761-EC7000-100G | EC700/EC70A/EC70B VESA Mount Kit, RoHS |
| <b>DIN Rail Mount</b> | 761-EC70B0-000G | EC70B DIN Rail Mount Kit, RoHS         |

### ► Packing List

|  |
|--|
| • 1 VC70B-KU system unit                 |
| • 4 Mounting screws for Mini PCIe module |
| • 1 Power Connector                      |